



LAV-24 UPRIGHT WIDE AREA VACUUM

INTRODUCTION

OPERATING & MAINTENANCE INSTRUCTIONS

READ THIS BOOK

This operator's book has important information for the use and safe operation of this machine. Read this book carefully before starting the machine. Keep this book and tell all operators to read the book. If you do not follow the instructions, you can cause an injury or damage equipment, furniture or buildings.

For new books write to:

Triple S
2 Executive Park Drive
Billerica, MA 01862

Carefully inspect all components to ensure that there is no concealed freight damage. If such damage is discovered, file a "CONCEALED DAMAGE REPORT" immediately with the delivering carrier.

The contents of this manual are based on the latest product information available at the time of publication. **Triple S** reserves the right to make changes or improvements to its machines without notice.

FOR YOUR CONVENIENCE, RECORD THE FOLLOWING IMPORTANT INFORMATION:

MODEL _____

SERIAL NUMBER _____

PART NUMBER _____

DATE PURCHASED _____

IMPORTANT SAFETY INSTRUCTIONS

READ AND UNDERSTAND ALL WARNINGS AND INSTRUCTIONS IN THIS BOOK BEFORE USING THIS MACHINE! If you do not understand, ask your supervisor.

WARNING: To reduce the risk of fire, electric shock, or injury:

1. DO NOT USE THIS VACUUM FOR PICK UP OF WET DEBRIS.
2. Do not use outdoors or on wet surfaces.
3. Do not allow to be used as a toy. Close attention is necessary when used by or near children.
4. You must be trained to operate this machine. Operate this machine for its intended use only.
5. Do not operate this machine unless it is completely assembled. The dust bag and/or filters must be in place. Use only manufacturer's attachments.
6. Keep the machine and its electrical components dry. Do not subject to rain. Store the machine in a dry building area. Clean the machine with a dry cloth only.
7. Machines can cause an explosion when near flammable materials and vapors. Do not use or store this machine with or near fuels, grain dust, solvents, thinners, or other flammable materials. Do not use flammables to clean this machine.
8. Do not pick up anything that is burning or smoking, such as cigarettes, matches or hot ashes.
9. Maintenance and repairs must be done by a qualified or authorized service center.
10. If the machine is not working as it should, has been dropped, damaged, left outdoors, or dropped into water, return it to a service center.
11. Connect to a properly grounded outlet only (See Grounding Instructions).
12. To prevent electric shock, always remove the electrical plug from the electrical outlet before doing any repairs or maintenance and when leaving the machine unattended. Do not handle plug or vacuum with wet hands.
13. Do not pull cord, use cord as a handle, close a door on cord, or pull cord around sharp edges or corners. Keep cord away from heated surfaces. Do not use with damaged cord or plug.
14. Turn off all controls before unplugging.
15. Do not put objects into openings. Do not use with any opening blocked: keep free of dust, lint, hair and anything that may reduce airflow.
16. Keep hair, loose clothing, fingers and all parts of the body away from openings and moving parts.
17. Make sure all labels, decals, warnings, cautions and instructions are fastened to the machine.

IMPORTANT SAFETY INSTRUCTIONS

This machine must be grounded. If it should malfunction or break down, grounding provides a path of least resistance for electric current to reduce the risk of electric shock. This machine is equipped with a cord having an equipment-grounding conductor and grounding plug. The plug must be inserted into an appropriate outlet that is properly installed and grounded in accordance with all local codes and ordinances.

WARNING - Improper connection of the equipment-grounding conductor can result in a risk of electric shock. Check with a qualified electrician or service person if you are in doubt as to whether the outlet is properly grounded. Do not modify the plug provided with the machine - if it will not fit the outlet, have a proper outlet installed by a qualified electrician.

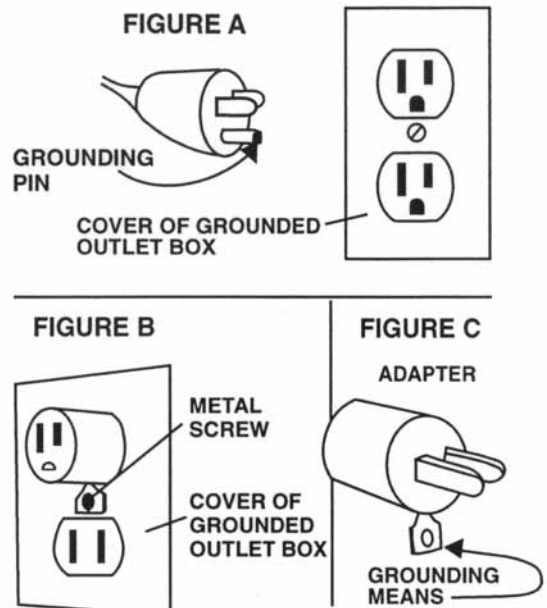
This machine is for use on a nominal 120-volt circuit, and has a grounded plug that looks like the plug illustrated in figure A. A temporary adapter that looks like the adapter illustrated in figures B and C may be used to connect this plug to a 2-pole receptacle as shown in figure B if a properly grounded outlet is not available. The temporary adapter should be used only until a properly grounded outlet (figure A) can be installed by a qualified electrician. The green colored rigid ear, lug, or the like extending from the adapter must be connected to a permanent ground such as a properly grounded outlet box cover. Whenever the adapter is used, it must be held in place by a metal screw.

NOTE: In Canada, the use of a temporary adapter is not permitted by the Canadian Electrical Code

EXTENSION CORDS

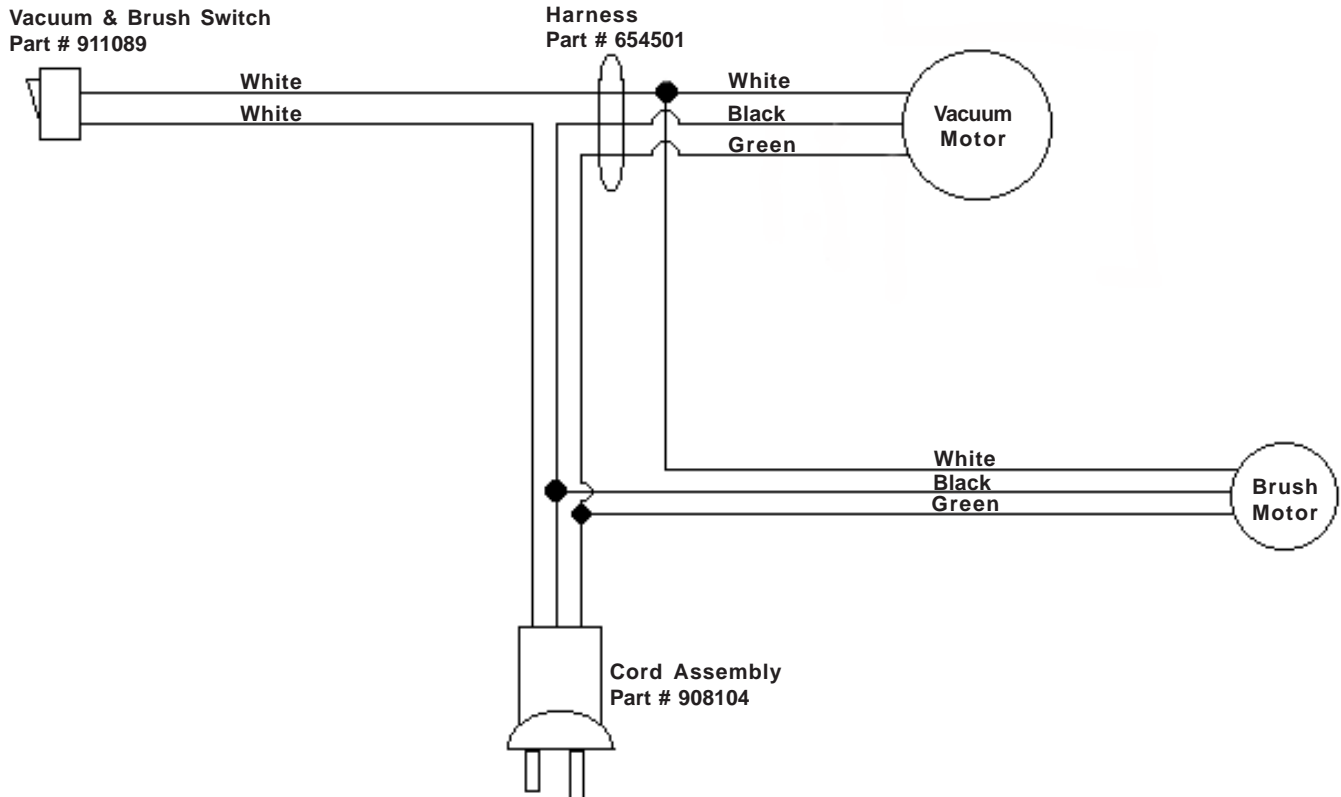
Use only three-wire 14/3 or larger gauge approved extension cords that have three-prong grounding type plugs and three-pole receptacles that accept the appliance's plug. Replace or repair any damaged cords or plugs.

When servicing, refer to authorized person only. Use only identical replacement parts.



NOTE: Do not use adapters shown in figures B & C in Canada

WIRING DIAGRAM



OPERATING PROCEDURES

WARNING! For the safe operation of this machine follow the instructions given in this booklet and the training given by your supervisor. Failure to do so can result in personal injury and/or damage to machine and property!

DO NOT OPERATE MACHINE IN AN EXPLOSIVE ENVIRONMENT!

NEVER USE THIS MACHINE TO PICK UP VOLATILE OR EXPLOSIVE MATERIALS!

The model shown in this manual is intended for commercial use.

PREPARATION

To prepare the machine for operation, make sure it is of correct voltage and properly assembled. If in doubt, ask your supervisor.

1. **Properly install the filter bag in the vacuum:** Use the latch at the rear of the machine (operator's position). Tilt the cover back until it is fully open. The filter bag inlet is designed with a rubber gasket that fits securely over the bag adapter. Push the filter bag inlet over the adapter until it contacts the inside of the cover. Replace the filter bag when full.

OPERATION

1. **Plug the machine's power cable into a properly grounded outlet** (see Grounding Instructions).
2. **Depress the foot pedal to tilt the handle back to the operating position.**
3. **Adjust the brush height** with the lever located on the right side of the machine near the floor.
4. **Turn the switch ON and begin vacuuming.**

OPERATION WITH TOOLS

An on-board tool kit is installed on your vacuum - Part Number 54278. This kit includes an onboard tool bag, a dusting tool, crevice tool, stretch hose assembly and two piece wand assembly. Fifteen (15) feet of hose is provided which allows access to rooms without moving the machine.

1. **The switch should be turned OFF.**
2. **Depress the foot pedal to tilt the handle into the upright position. The brush will be off the floor in this position.**
3. **Remove the bottom hose cuff from the base of the machine and attach the accessory hose by pressing the insert located within the cuff of the accessory hose together with the cuff of the machine hose until there is a tight fit between the two hoses. Then attach the tool of choice.**
4. **Turn the switch ON and begin.**

Note: The switch should be OFF when switching between the accessory and the brush positions.

MAINTENANCE

ALWAYS turn the switch OFF and UNPLUG the power cord from the electrical outlet before doing any clean-up or repairs, and when the machine is left unattended.

AFTER EACH USE:

1. **Vacuum filter bag:** If the bag is full or damaged install a new one.
Filter Bag, 10 Pack – Part Number 54279
Cloth Bag (optional) – Part Number 54277
2. **Power cord and plug:** Check for cuts or nicks; if damaged, have the cord replaced at a factory authorized service center.
3. **Wheels:** Remove any strings or debris that may restrict the free movement of the wheels.
4. **Tools:** Inspect the tools to ensure there is no obstruction of airflow. Remove any debris found.
5. **Brush:** Remove any strings or debris. Replace if it becomes worn or damaged.

MAINTENANCE

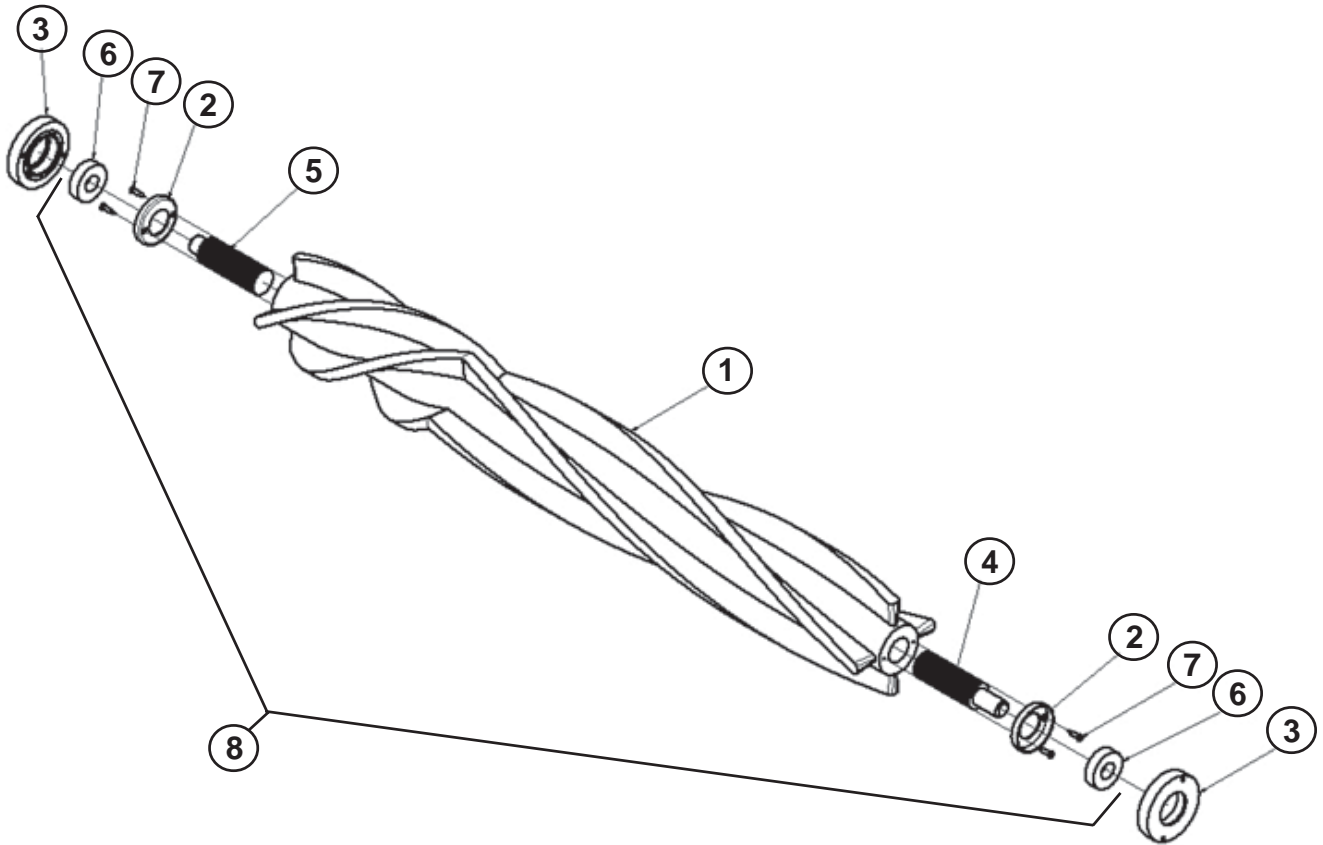
WEEKLY:

- 1. Inspect and clean the vacuum inlet filter.** Open the bag door at the rear of the machine. At the bottom of the chamber is the inlet filter. Remove the filter from the machine by pulling it off of the vacuum motor. You may need to remove your bag to access this freely. The filter is constructed of foam attached to a plastic mounting ring. Slide the filter off and clean it by shaking or vacuuming. Replace it if there are any rips, tears or it can't be cleaned.
- 2. Inspect and clean the exhaust filter.** It is located under the handle of the machine (see page 14). Remove the two knobs to access the filter and clean by shaking, vacuuming or washing with water. Replace if there are any rips, tears or if it can't be cleaned.

VACUUM MOTOR MAINTENANCE:

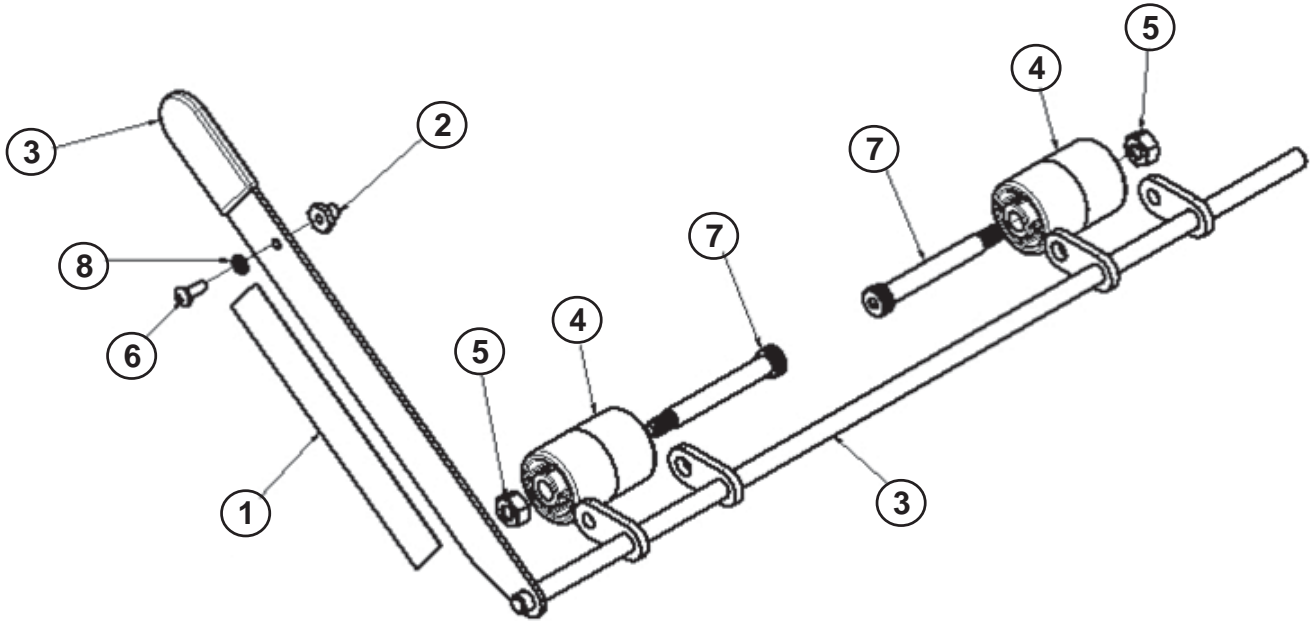
Have the vacuum motor inspected annually by a factory authorized service technician. If the carbon brushes are worn, they should be replaced. This service will prolong the life of the motor.

BRUSH ASSEMBLY



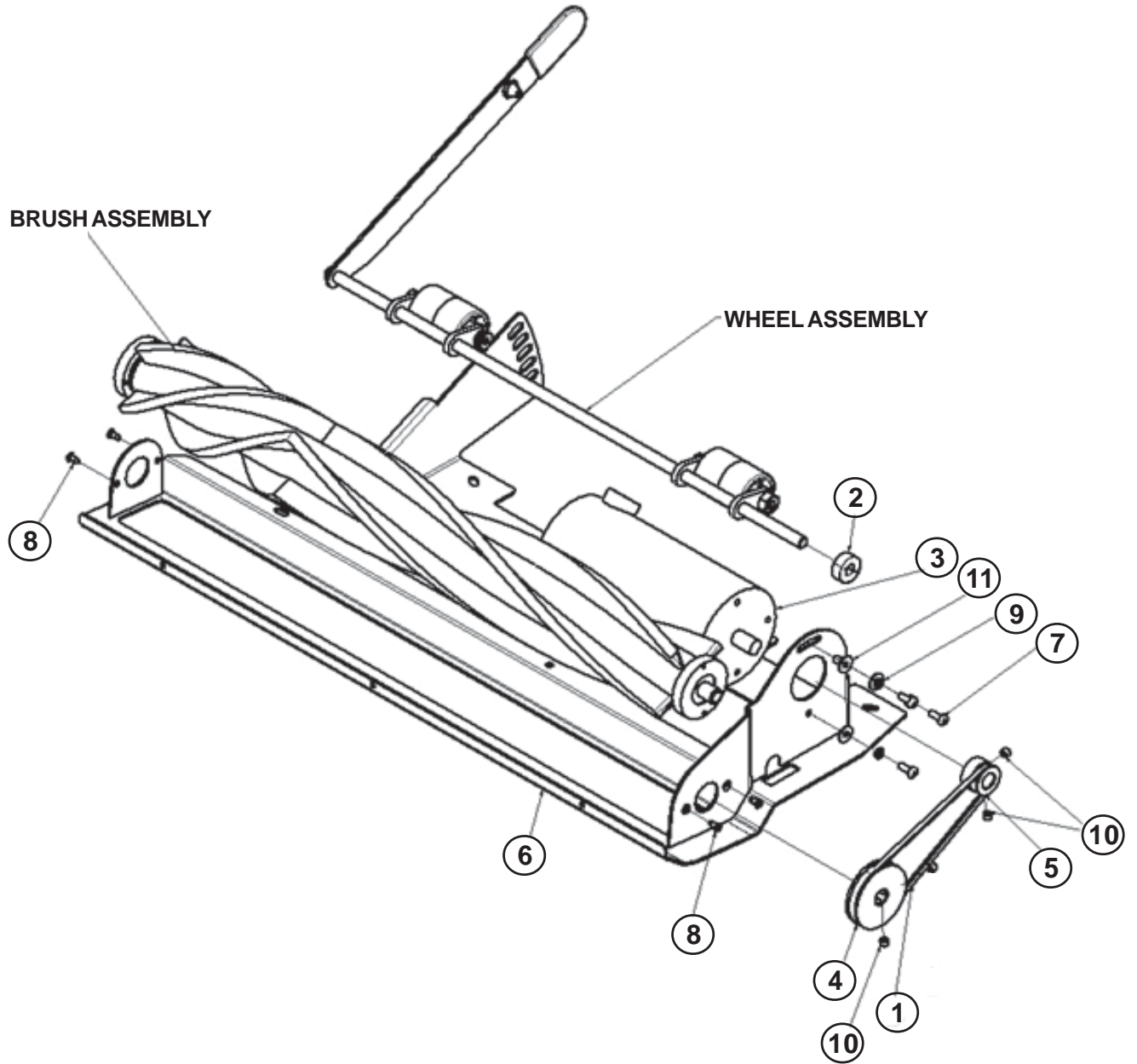
Brush Assembly Parts List			
ITEM	PART NUMBER	DESCRIPTION	QTY
1	650908	BRUSH, WAV 3 INCH DIAMETER	1
2	653601	GUARD, THREAD	2
3	654201	HOUSING, BEARING	2
4	657701	SHAFT, LONG	1
5	657702	SHAFT, SHORT	1
6	902035	BEARING, BRUSH SHAFT	2
7	962144	SCREW, FLAT, TAP, 4-24 X .50	4
8	650909	BRUSH ROLL ASSEMBLY*	1
		<i>*Includes items 1,2,4,5,6 & 7</i>	

LEVER & WHEEL ASSEMBLY



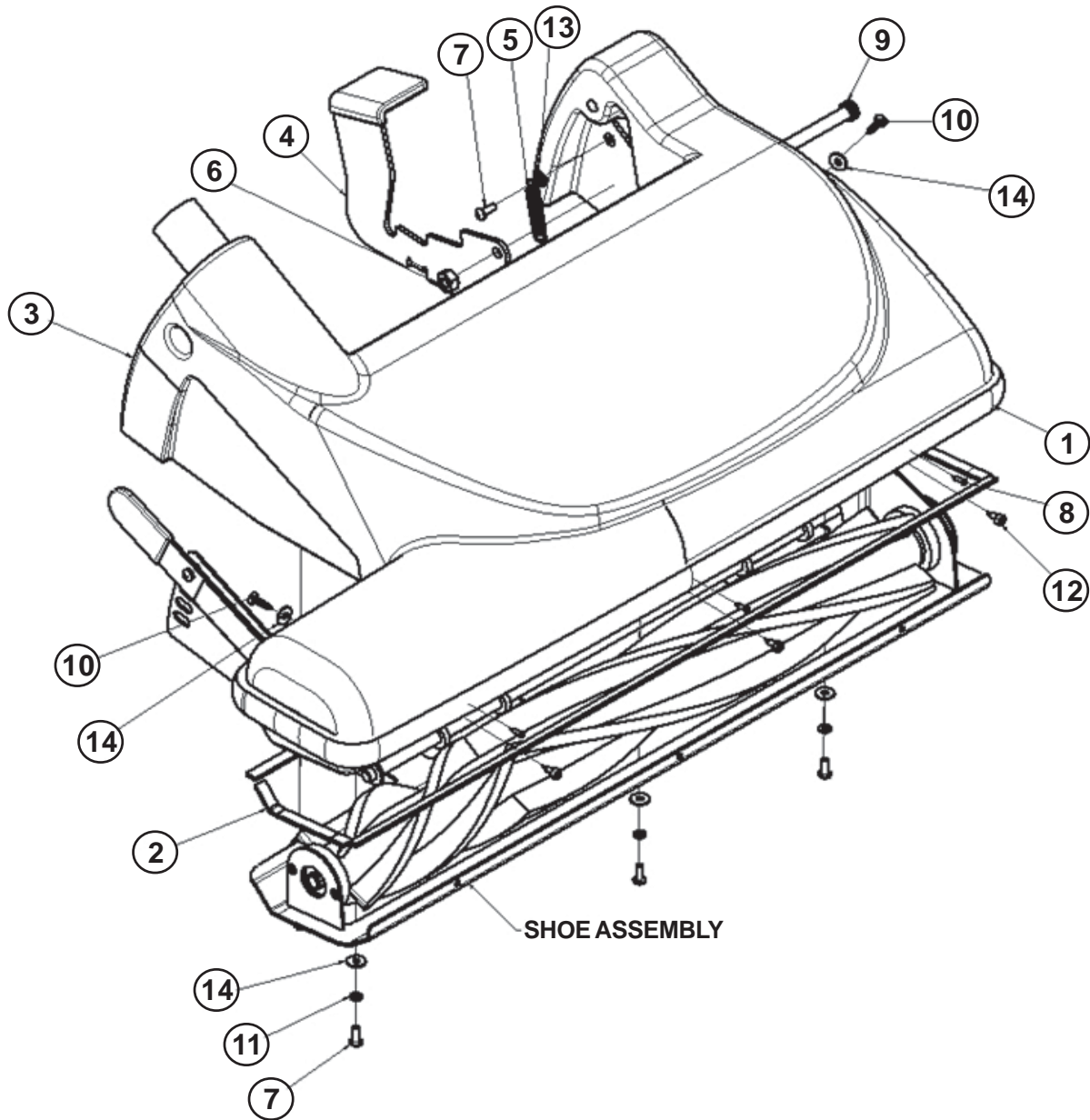
Lever and Wheel Assembly Parts List			
ITEM	PART NUMBER	DESCRIPTION	QTY
1	655121	LABEL, HEIGHT, BRUSH	1
2	656701	PIN, TAPERED	1
3	657704	SHAFT, WLDMNT, WHEEL	1
4	659702	WHEEL, 1.5 DIA, 2.5L	2
5	920012	NUT, HEX, NYLOCK, .31 - 18	2
6	962044	SCREW, PAN, #10-32 X .50	1
7	962458	SCREW, SHLDR, .38, .31-16, 2.5	2
8	980022	WASHER, LOCK, SPLIT, #10	1

SHOE ASSEMBLY



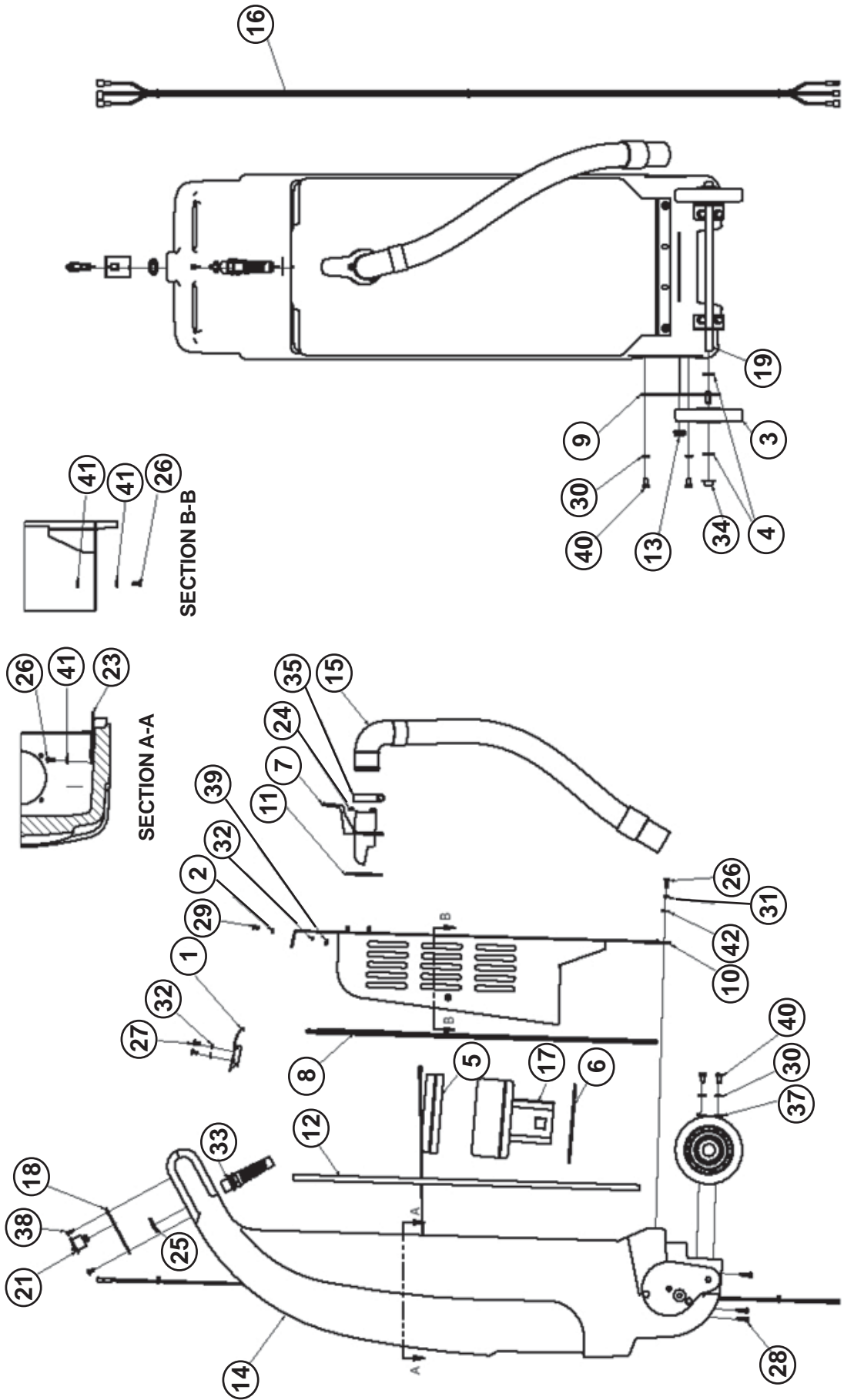
Shoe Assembly Parts List			
ITEM	PART NUMBER	DESCRIPTION	QTY
1	651306	BELT, V, BRUSH	1
2	652403	COLLAR, CLAMP, .38D	1
3	655201	MOTOR, BRUSH, WAV	1
4	656901	PULLEY, BRUSH	1
5	656902	PULLEY, BRUSH MOTOR	1
6	657903	SHOE, WELDMENT, BRUSH	1
7	962044	SCREW, PAN, #10-32 X .50	3
8	962105	SCREW, FLAT, #8-32 X .38	4
9	980022	WASHER, LOCK, SPLIT, #10	3
10	W168D	SCREW, SET, .25-20, .25	4
11	W401D	WASHER, FLAT, #10	3

BASE ASSEMBLY



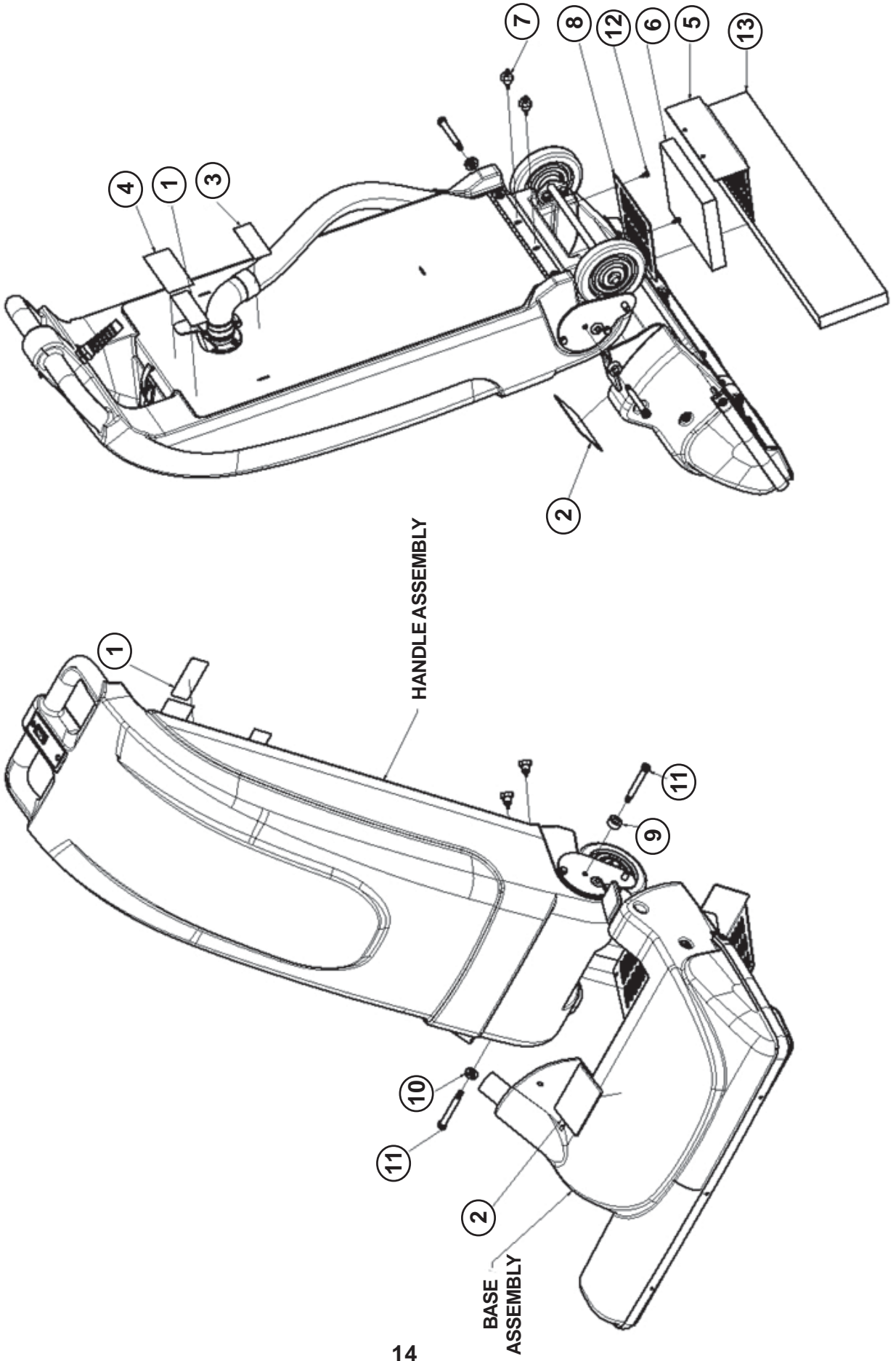
Base Assembly Parts List			
ITEM	PART NUMBER	DESCRIPTION	QTY
1	651201	BUMPER, EXTRUSION, OPEN	1
2	653404	GASKET, SHOE, 0.38 X 0.09	2
3	654202	HOUSING, BASE	1
4	655120	LEVER, FOOT, HANDLE	1
5	658302	SPRING, EXTENSION	1
6	920012	NUT, HEX, NYLOCK, .31 - 18	1
7	962044	SCREW, PAN, #10-32 X .50	6
8	962144	SCREW, FLAT, TAP, 4-24 X .50	3
9	962458	SCREW, SHLDR, .38, .31-16, 2.5	1
10	962460	SCREW, #8X.75, PHIL TRUSS SS	2
11	980022	WASHER, LOCK, SPLIT, #10	5
12	W136D	SCREW, TAP, #8 X .50	3
13	W329D	NUT, HEX, #10-32	1
14	W401D	WASHER, FLAT, #10	7

HANDLE ASSEMBLY



Handle Assembly Parts List							
ITEM	PART NUMBER	DESCRIPTION	QTY	ITEM	PART NUMBER	DESCRIPTION	QTY
1	255104	LATCH, OVER-CENTER	1	21	911089	SWITCH, ROCKER, 20A 125 VAC	1
2	255105	POST, LATCH	1	22	911546	TERMINAL, FEM, FLAG (NOT SHOWN)	1
3	509781	WHEEL, RUBBER	2	23	911552	CABLE, .062 DIA, 15 INCH LONG	1
4	509820	WASHER, THRUST, FIBER	4	24	920001	NUT, NYLOCK, #10-32	3
5	633301	FILTER, INLET, VACUUM	1	25	920619	NUT, .050 INCH PIPE LOCK	1
6	54143	HEPA FILTER (OPTIONAL)	1	26	962044	SCREW, PAN, #10-32 X .50	4
7	633403	GASKET, MOTOR MOUNT	1	27	962063	SCREW, PAN, #8-32 X .38	2
8	650201	ADAPTER, HOSE	1	28	962089	SCREW, PAN, #10 X 0.75, AB	4
9	54279	BAG, VACUUM, UPRIGHT WAV (10 PK)	1	29	962344	SCREW, FLT, #8-32 X .5	1
10	54277	BAG, VACUUM, CLOTH (OPTIONAL)	1	30	980002	WASHER, LOCK, SPLIT, .25	6
11	650802	BRACKET, STOP, HANDLE	1	31	980022	WASHER, LOCK, SPLIT, #10	2
12	652305	COVER, REAR, WELDMENT	1	32	980026	WASHER, LOCK, #8 INT TOOTH	3
13	653406	GASKET, ADAPTER, HOSE	1	33	A13020	STRAIN RELIEF, CABLE	1
14	653407	GASKET, LINEAR, THICK	1	34	S482P	CAP, SNAP, AXLE	2
15	653801	GROMMET, .31 ID, .56 HOLE	1	35	S611A	CLAMP, HOSE, WORM	1
16	653907	HANDLE, UPRIGHT	1	36	S936P	TERMINAL, MALE (NOT SHOWN)	4
17	654102	HOSE, VACUUM, 90 DEG CUFF	1	37	W104D	WASHER, FLAT, .25	4
18	654501	HARNESS, 24INCH WAV	1	38	W136D1	SCREW, #8 X .5 TAP	2
19	655208	MOTOR, VAC, 2STG, 120V, TH	1	39	W143D	NUT, #8-32	1
20	656401	PLATE, MOUNTING, SWITCH	1	40	W169D	SCREW, HEX, .25-20 X .50	6
21	657705	SHAFT, WLDMNT, WHEEL	1	41	W329D	NUT, HEX, #10-32	3
22	908104	CORD, 50FT, YELLOW (NOT SHOWN)	1	42	W401D	WASHER, FLAT, #10	2

FINAL ASSEMBLY



Final Assembly Parts List			
ITEM	PART NUMBER	DESCRIPTION	QTY
1	485140	LABEL, MADE IN USA	1
2	655122	LABEL, TRIPLE S	1
3	505187	LABEL, SERIAL NUMBER	1
4	615102	LABEL, WARNING	1
5	652306	COVER, EXHAUST, BOTTOM	1
6	653302	FILTER, EXHAUST	1
7	655002	KNOB, #10-32 X .50	2
8	656101	PLATE, SUPPORT, FOAM	1
9	658202	SPACER, NYLON, .41ID X .88OD X .41	1
10	658203	SPACER, NYLON, .41ID X .88OD X .2	1
11	962458	SCREW, SHLDR, .38, .31-16, 2.5	2
12	W136D	SCREW, TAP, #8 X .50	2
13	653303	FOAM, SOUND REDUCTION	1

54278 ON BOARD HAND TOOL KIT

54360
Wand (2 pcs req'd)

54357
Crevice Tool

650603
Tool Bag

655004
Stretch Hose
Assm-10ft

54358
Dusting Tool

658507
Snap, Self-
Drilling
(6 pcs req'd)



WARRANTY POLICY LIMITED WARRANTY

The **Triple S** LAV-24 Upright Wide Area Vacuum has been manufactured, tested and inspected in accordance with specific engineering requirements and is **WARRANTED** to be free from defects in workmanship and materials as follows:

Five (5) years parts, one (1) year labor – Rotational molded components.
One (1) year parts & labor – All other components unless excluded below.

This warranty extends to the original user/purchaser and only when used, operated and maintained in accordance with **Triple S** Operating and Maintenance instructions.

This warranty does not apply to the following wear parts and accessories of the machine including:

<u>Part Number</u>	<u>Part Name</u>
54279	Paper Filter Bags-10 pk
54277	Cloth Filter Bag
633301	Filter
54143	HEPA Filter
653302	Exhaust Filter
650909	Brush Assembly
908104	Cord Assembly
654102	Hose
651306	Belt
54278	On Board Tool Kit Assembly

Nor does it apply to damage or failure caused by improper use, abuse or neglect. Warranty credit or replacement of return parts including motors, pumps, etc., is subject to incoming inspection of those items.

To secure repair under this warranty, the following procedure should be taken:

- The inoperative machine or warranted parts must be delivered to the authorized service center with shipping and delivery charges prepaid. If unable to locate a service center, you may contact **Triple S** at the address listed herein for the location of the nearest repair center or agent or for other instructions pertaining to your warranty difficulty.
- Upon compliance with the above warranty procedure, all warranted repairs would be completed at no additional charge or cost to the user.
- Only **Triple S** or its authorized dealers and agents may make no charge warranty repairs on this product. All others do so at their own risk.

This warranty limits **Triple S** liability to the repair of the product and/or warranted parts replacement and does not include incidental or consequential damages arising from the use of a **Triple S** machine whether defective or not.

This warranty is in lieu of all other expressed or implied warranties and is extended to the original purchaser/user.



2 EXECUTIVE PARK DRIVE
BILLERICA, MA 01862
1-800-323-2251
FAX 1-978-667-9360