



**TRIPLE S**

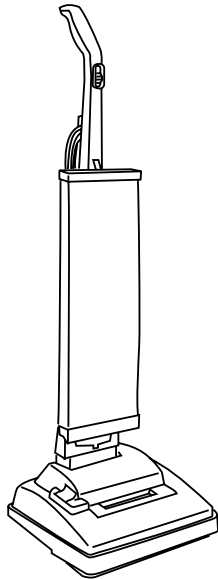
# C12 Commercial Cleaner

## Operating Instructions

**ENGLISH** → pp.1-9

**ESPAÑOL** → pág 10-14

**FRANÇAIS** → p. 17-21



**Read these instructions before operating cleaner**

## Index

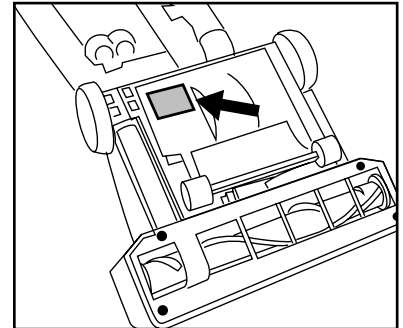
Assembling Cleaner .....	2-5
Cleaner Descriptions .....	5
How To Use .....	5-6
If You Have a Problem .....	8
Important Safeguards .....	1
Lubrication .....	8
Maintenance	
Authorized Service .....	9
Replacing Agitator .....	8
Replacing Belt .....	7-8
Replacing Filter Bag .....	6-7
Unpacking Cleaner .....	2



**DOUBLE INSULATED:** When servicing, use only identical replacement parts

Serial Number \_\_\_\_\_

(Located on bottom of cleaner as shown)



## Important Safeguards

When using an electrical appliance, always follow basic precautions, including the following:

**READ ALL INSTRUCTIONS BEFORE USING THIS APPLIANCE**

### Warning:

To reduce the risk of fire, electric shock, or injury:

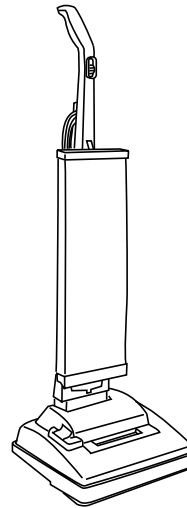
- Do not use outdoors or on wet surfaces.
- This appliance is provided with double insulation. Use only identical replacement parts. See instructions for servicing double insulated appliances.
- Close supervision is necessary when any appliance is used by or near children. Do not allow vacuum cleaner to be used as a toy or to run unattended at any time.
- Keep hair, loose clothing, fingers, feet and all parts of body away from openings, rotating agitator and other moving parts. Do not operate cleaner in bare feet or when wearing open toe shoes or sandals.
- Do not pick up anything that is burning or smoking, such as cigarettes, matches, or hot ashes.
- Do not use to pick up flammable or combustible liquids such as gasoline or fine wood sandings or use in areas where they may be present.
- Avoid picking up hard, sharp objects with the cleaner. They may damage the cleaner and the bag.
- Do not use without dust bag or filters in place. Change bag frequently when picking up very fine materials such as powder.
- Use extra care when cleaning on stairs.
- Do not put any object into openings. Do not use with any opening blocked; keep free of dust, lint, hair, or anything that may reduce air flow.
- Do not pull or carry by cord, use cord as a handle, close door on cord or pull cord around sharp edges or corners. Do not run appliance over cord. Keep cord away from heated surfaces.
- Always disconnect cord from electrical outlet before servicing the cleaner.
- Unplug cleaner when not in use. Turn off all controls before unplugging.
- Do not unplug by pulling on cord. To unplug, grasp the plug, not the cord. Never handle plug or appliance with wet hands.
- The use of an extension cord is not recommended.
- Do not use with damaged cord or plug. If appliance is not working as it should, has been dropped, damaged, left outdoors, or dropped into water, take it to a Triple S Authorized Dealer.
- Use vacuum cleaner only for its intended use as described in the instructions. Use only attachments recommended by Triple S; others may cause hazards.

# Save these instructions!

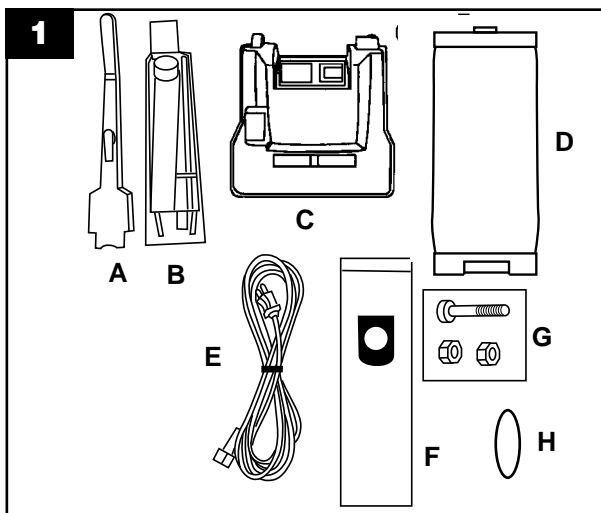
# Assembling cleaner

**It is extremely important to read and follow all instruction steps in order.**

The assembled cleaner will look like this drawing.



## Carton contents

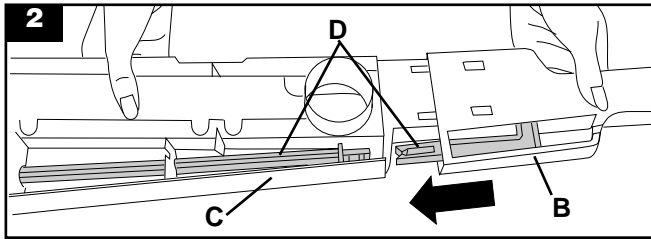


- A. Upper handle
- B. Lower handle
- C. Cleaner body
- D. Outer bag
- E. Cord
- F. Filter bag
- G. Handle bolt and nut packet  
(One extra nut included)
- H. Extra belt

Remove all parts from carton and identify each item shown.

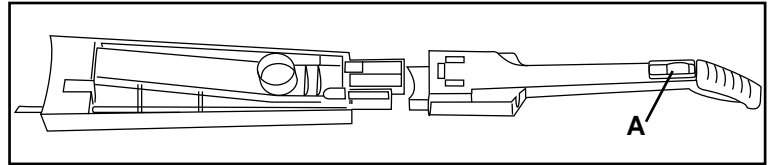
Make sure all parts, especially small items, such as G, are located before disposing of cardboard packing.

## Step 1 Assemble handle



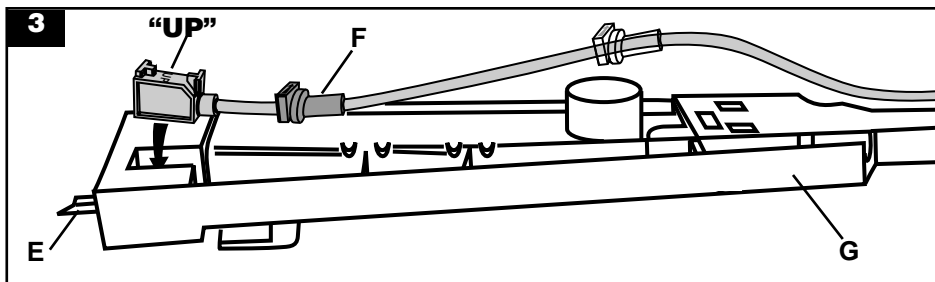
Align upper handle and lower handle as shown. Place upper (B) and lower (C) handle parts on a flat surface, aligning rod sections (D). With hand on sides of handle, push parts together firmly until they “click” and rod sections lock together.

**Do not press against the rod extending from the lower handle (Fig. 3, “E”). Do not push handle together with hands on the ends of the sections.**



**Note:** The **white switch lock** above the ON-OFF switch (A) helps in the assembly of your cleaner. Assembly can be continued if the switch lock is missing. However, **do not remove** the switch lock until assembly is completed.

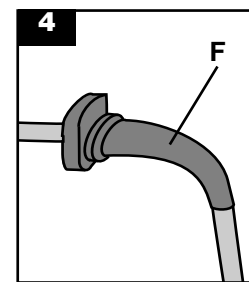
## Step 2 Attach cord



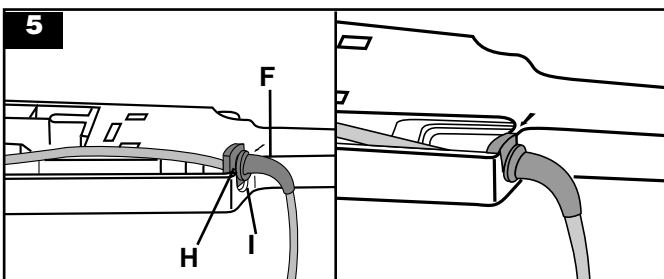
Insert **large** rectangular end of cord into pocket in bottom of handle, with side marked “UP” visible.

Make sure rectangular end is pushed into handle as far as possible.

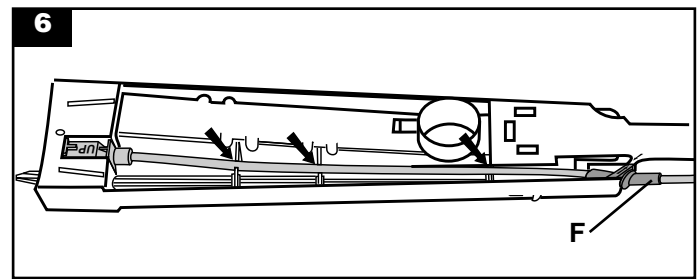
**Slide** cord protector (F) toward upper handle (G).



Rotate cord protector (F) as shown.



With (F) pointing downward (toward back of handle), press groove (H) into slot (I).

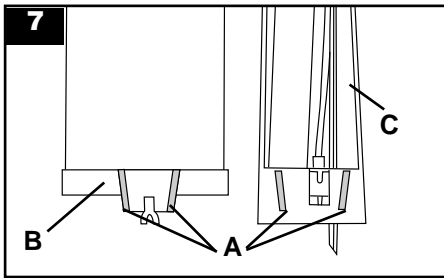


Press cord into place at each of the three notches indicated and note correct positioning of (F).

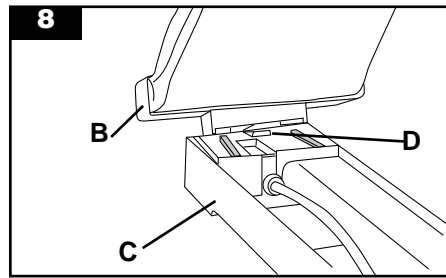
**Do not plug cleaner in until assembly is totally complete.**

**Continued →**

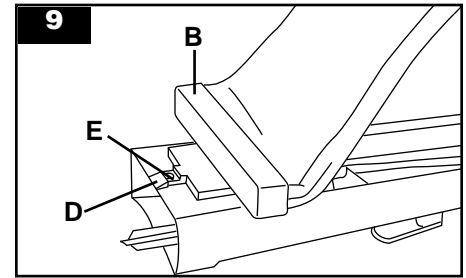
### Step 3 Attach cloth outer bag



Note location of tapered rails (A) on back of outer bag base (B) and on front of lower handle (C).

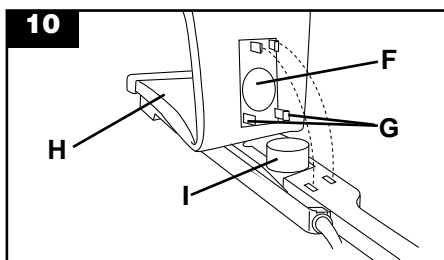


Slide rails on outer bag (B) onto rails on lower handle (C) until outer bag base snaps past the lock tab (D).



The hole (E) in the handle is visible through the U-shaped extension on the outer bag base (B) when the outer bag base is in position past the lock tab (D).

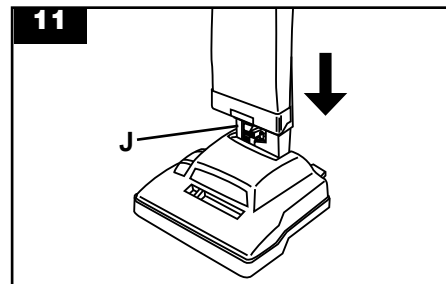
**Be sure that power cord is pulled tight and pressed into each of the three notches (Fig. 6) before completing the following steps.**



Note round opening (F) and hooks (G) on back of outer bag (H).

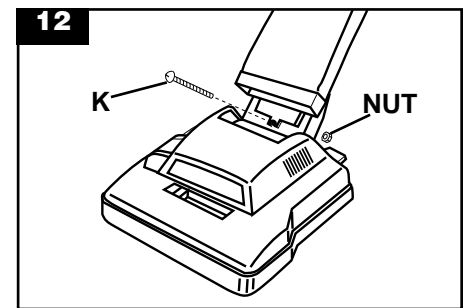
Place opening over dirt tube (I). Unzip outer bag and place hand inside. **Press down firmly to snap hooks into handle.**

### Step 4 Attach handle



With outer bag to the front, place assembled handle onto handle base (J) of cleaner body.

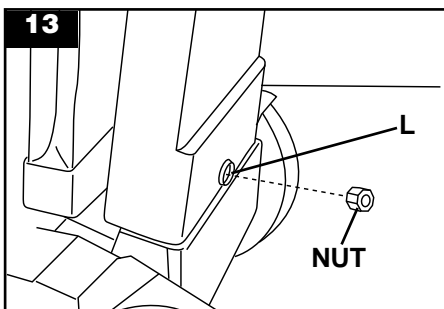
**Rock handle side to side while pushing down firmly. Extra pushing effort may be required.**



Press the handle release lever to move handle to the operating or middle position.

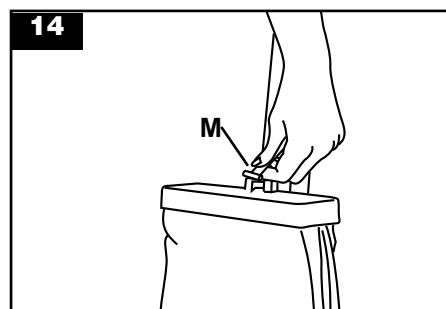
Push **bolt (K)** into hole on lower front of handle.

**If bolt will not go through hole easily, handle is not pushed completely down.**

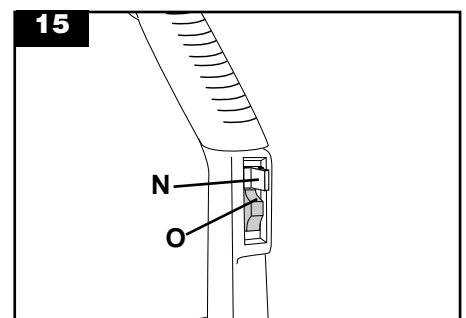


Place **nut** in recessed area (L) at **back of handle**. Hold nut in place while tightening bolt securely with a screw driver.

**Note:** Only one nut is needed on this model. The extra nut is not required but has been provided for your convenience.



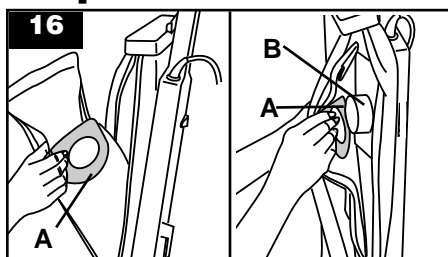
On upper front handle, grasp bag clip (M) and pull down firmly. Hook bag clip into slot in bag cap.



Pull switch lock (N) above ON/OFF switch (O) straight out. Dispose of lock.

**Note:** If tab has come off during assembly, make sure switch is in the **OFF** position (down) before plugging cord into an electrical outlet.

## Step 5 Attach filter bag



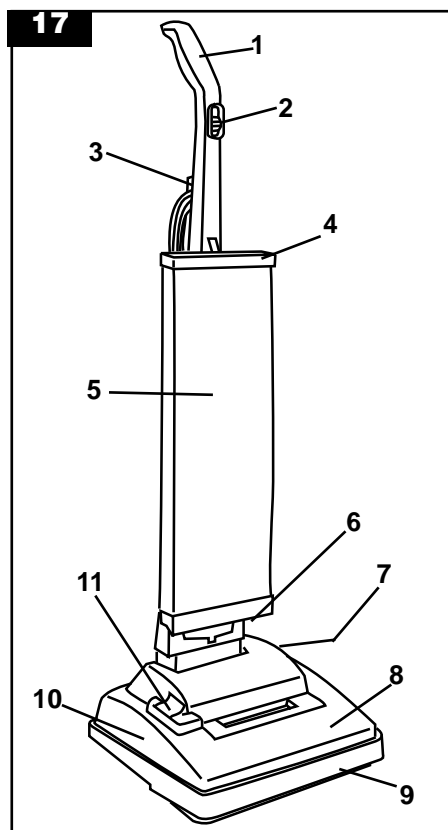
Hold filter bag collar (A) as shown. Align opening in filter bag with dirt tube (B) inside the outer bag.

Push bag collar firmly onto dirt tube. Tuck in filter bag; zip outer bag.

**CAUTION:** When the cleaner is turned ON, the agitator continues to rotate while the handle is in the upright position.

## How to use

### Cleaner description



The assembled cleaner will look like the drawing.

- 1. Handle**
- 2. ON/OFF switch**
- 3. Cord hooks:** wrap cord around hooks for storage. Top hook rotates for easy cord release.
- 4. Bag cap**
- 5. Outer bag**
- 6. Stair cleaning handle:** located on lower edge of bag.
- 7. Handle release lever:** step on lever to lower handle to operating or low position.
- 8. Cleaner body**
- 9. Furniture guard:** helps prevent cleaner from marking furniture.
- 10. Hood**
- 11. Extra belt storage:** open door to store extra belt.

**Operate cleaner only at voltage specified on data plate on bottom of cleaner.**

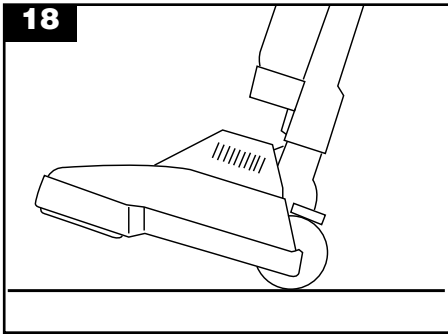
**WARNING: Electrical shock could occur if used outdoors or on wet surfaces.**

To reduce the risk of electric shock, this appliance has a polarized plug (one blade is wider than the other). this plug will fit in a polarized outlet only one way. If the plug does not fit fully in the outlet, reverse the plug. If it still does not fit, contact a qualified electrician to install the proper outlet. do not change the plug in any way.

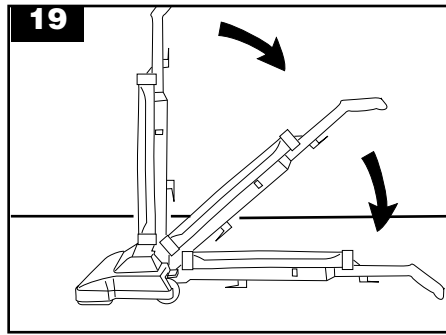
### ON/OFF Switch

To turn cleaner on, push switch up.

To turn cleaner off, push switch down.

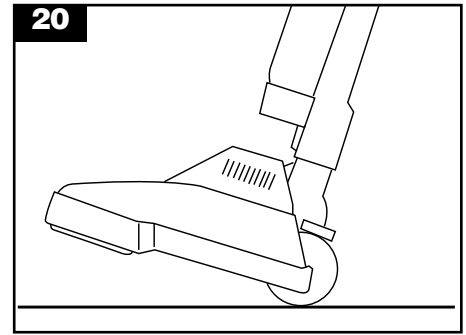


Plug cord into electrical outlet. Turn cleaner on and, with handle in upright position, pull back on handle until front of cleaner is lifted off the carpet. This insures that the paper bag is inflated.



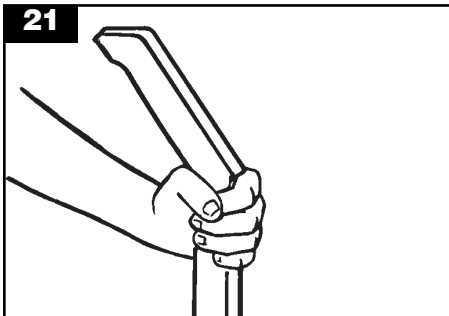
### Handle positions

The handle of your cleaner has three positions; **upright** for storage and when using cleaning tools; **operating** for general operation on carpet and floors; **low** for reaching under low furniture. Step on handle release lever to lower handle.

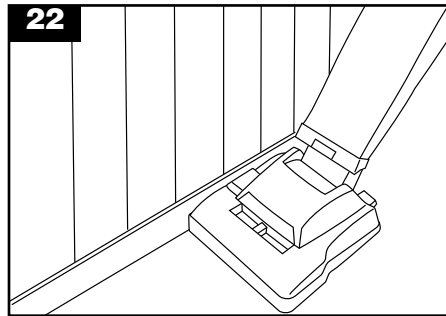


### Transporting cleaner

To move your cleaner from room to room, put handle in upright position, tilt cleaner back on rear wheels, and push forward.

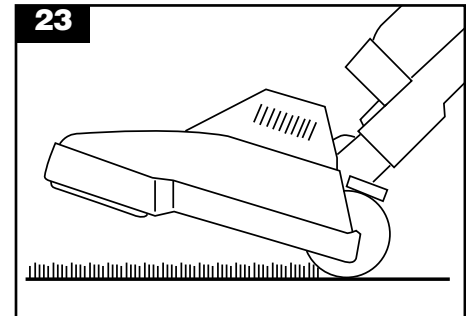


The cleaner can also be moved by lifting it as shown.



### Edge cleaning

Edge cleaning is provided on both sides of nozzle to remove dirt in carpet near baseboards and furniture. Guide either side of nozzle parallel to edge of carpet or furniture.



### Cleaning lightweight flexible rugs

Stand on one end of rug and move cleaner toward other end or edge. Before reaching edge, push down on handle. This will lift up the nozzle (front of cleaner) and will prevent rug from clinging to cleaner. Continue to lift up nozzle so that when you have reached the edge, it is completely off the rug. Move cleaner back to start again, lower nozzle, and use only forward strokes.

## Maintenance

**Disconnect cleaner from electrical outlet before attempting to service it in any manner.**

**Do not operate without paper bag in place.**

### The filter bag When to replace

Check filter bag from time to time. It is recommended that you change the bag when dirt reaches the bottom of the bag collar. If more dirt than this accumulates, your cleaner may not operate effectively.

**Note:** Check and change the filter bag frequently when using cleaner on new carpet due to rapid accumulation of carpet fluff.

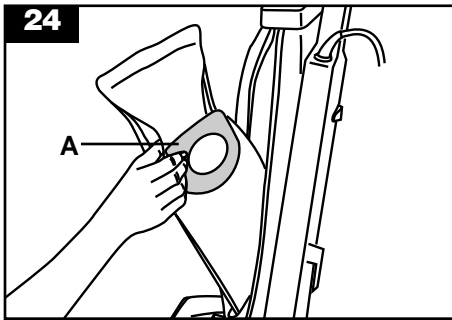
**CAUTION:** Very fine materials, such as face powder, cornstarch, fireplace ashes or fireplace soot, may seal the filter bag and may cause it to burst even though it is only partially full of dirt. When cleaner is used to remove material of this nature, change filter bag often.

### Where to buy

Filter bags may be purchased from a Triple S Authorized Dealer.

### What to buy

Use only **Type A** disposable filter bags in order to maintain the original cleaning effectiveness of your cleaner.

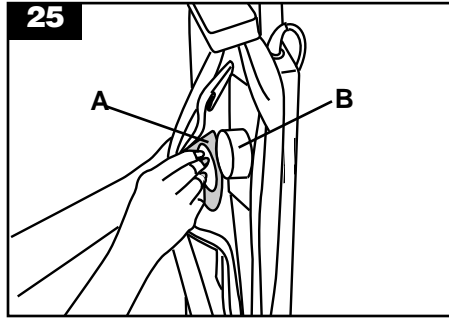


## How to replace

### Disconnect cleaner from electrical outlet.

To change filter bag, unzip outer bag, grasp sides of filter bag collar (A) and pull collar from tube.

**Note:** Do not clean out old filter bag and reuse. Discard used filter bag.



Hold new filter bag as shown. Align opening in filter bag with dirt tube (B). Push bag collar (A) **firmly** onto tube. Tuck in filter bag; zip outer bag.

## The belt

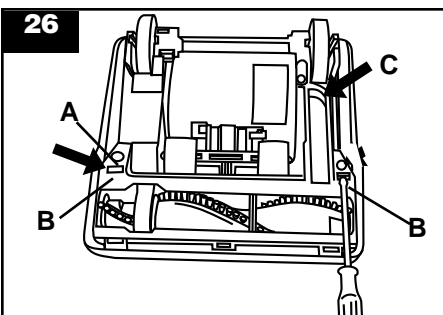
The belt on your cleaner causes the agitator to rotate and is important for the effective operation of the cleaner. The belt is located under the bottom plate of the cleaner and should be checked from time to time to be sure it is in good condition.

### When to replace

To check belt, remove bottom plate as shown in "How to replace belt." Replace belt if it is stretched, cut or broken.

### What to buy

When purchasing a new belt, ask for **part No. 38528040**.



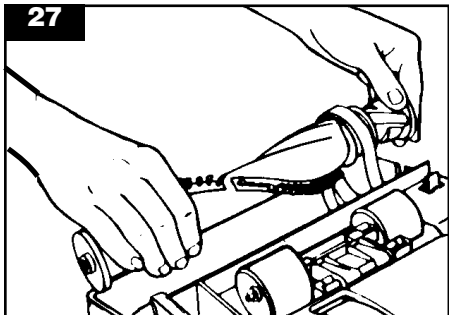
## How to replace

### Disconnect cleaner from electrical outlet.

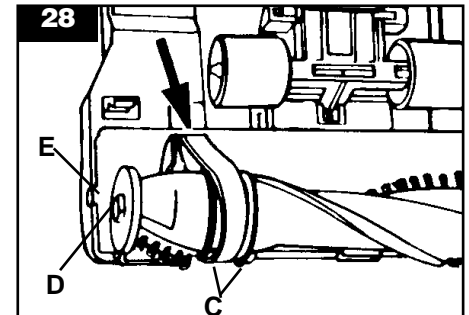
Place handle in lowest position and turn cleaner over.

**To remove bottom plate** remove screw (A), insert end of flat screwdriver into wide area of right-hand slot (B) and push handle of screwdriver to the rear. Repeat in left-hand slot (B).

Lift extension (C) of bottom plate, rotate plate and remove from cleaner body.

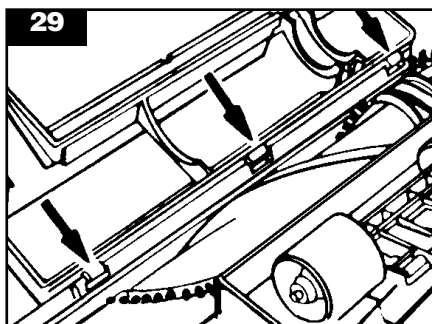


Remove agitator and broken agitator belt. (If belt is not broken but is stretched or cut, proceed with steps for Figs. 30 to 32 and pull belt off motor pulley. Then continue with Fig. 28).



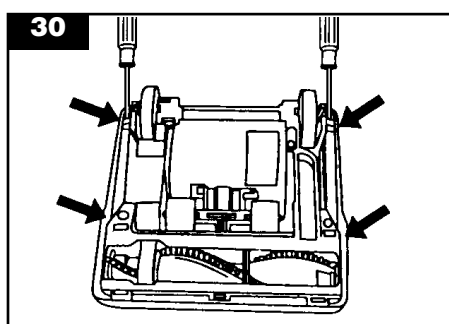
Slip agitator through new belt (**with lettering toward outside of cleaner**) and position belt in belt guide (E). Push end of belt into opening in cleaner body.

Reposition agitator making sure to align flat sides of projection (D) on belt end of agitator with flat sides of slot (E) in cleaner body.



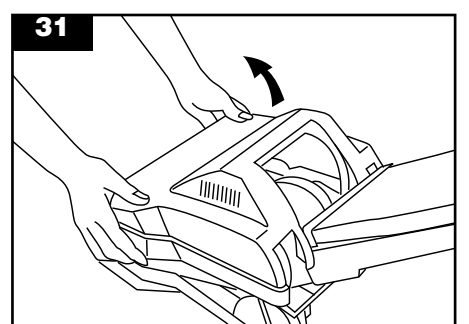
Place the three tabs on bottom plate into slots in front of cleaner body. Snap bottom plate into place over agitator.

Reinsert screw and tighten.



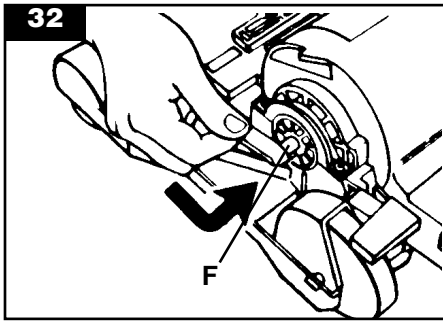
**Remove hood** by inserting end of flat screwdriver into one of the four slots beside an arrow on bottom of cleaner.

Pry outward to release latch. Repeat to release latches at the remaining three arrows.



Turn cleaner over and lift off hood.

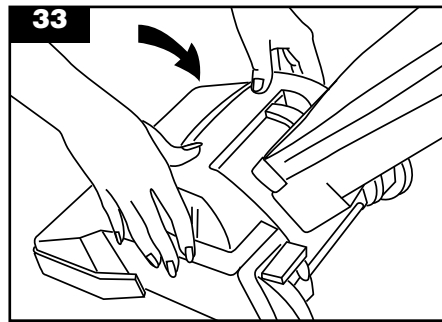
**Continued →**



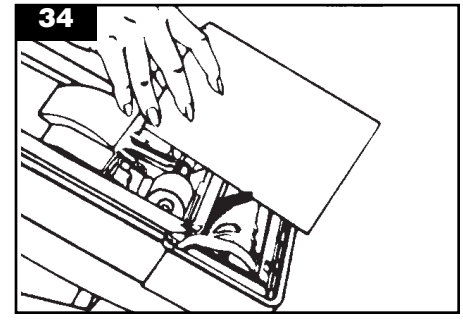
Stretch new belt onto motor pulley (F).

**Extra effort may be required to stretch belt onto pulley.**

Turn agitator, making sure belt is not pinched between agitator and cleaner body. The belt must rotate freely inside the belt guide. If the agitator does not turn, remove bottom plate and reposition belt in the belt guide.



Place hood on cleaner body and press to snap all four latches. Pull up on hood slightly to make sure all four latches are secured.



## The agitator When to replace

**Disconnect cleaner from electrical outlet.**

When agitator brushes are worn, the agitator should be replaced.

To check condition of brushes, move edge of a card across bottom plate while turning agitator. To maintain cleaning effectiveness, replace agitator if brushes do not touch card.

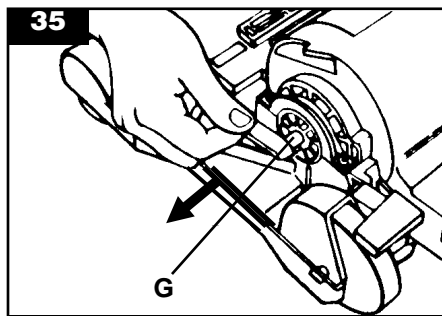
## What to buy

The agitator may be replaced with part **No. 48414081**.

## How to replace

**Disconnect cleaner from electrical outlet.**

Remove hood as shown in Figs. 30 and 31 of **“How to replace belt”**.



Pull belt off motor pulley as shown.

Remove bottom plate as shown in Figs. 26 & 27 of **“How to replace belt”**. Remove agitator from cleaner and discard.

Reposition belt and new agitator by referring to Figs. 28 to 32.

## If you have a problem

If a minor problem occurs, it usually can be solved quite easily when the cause is found by using the checklist below.

### Problem: Cleaner won't run

#### Possible cause

#### Possible solution

- **Not firmly plugged in**
- *Plug unit in firmly*
- **No voltage in wall plug**
- *Check fuse or breaker*
- **Blown fuse/tripped breaker**
- *Replace fuse/reset breaker*

### Problem: Cleaner won't pick up

#### Possible cause

#### Possible solution

- **Broken or worn belt**
- *Replace belt*
- **Brush roll brushes worn**
- *Replace brush roll*
- **Filter bag full**
- *Change filter bag*

## Lubrication

The motor is equipped with bearings that contain sufficient lubrication for the life of the motor. The addition of lubricant could cause damage.

**Therefore, do not add lubricant to motor bearings.**

The agitator is equipped with two ball bearings that should be lubricated periodically by a Triple S Authorized Dealer.




# Service

To obtain approved Triple S service and genuine Triple S parts, contact a Triple S Authorized Dealer.

Always identify your cleaner by the **complete** model number when requesting information or ordering parts. (The model number appears on the bottom of the cleaner.)

## Servicing of double-insulated appliances

This vacuum cleaner is double insulated. In a double insulated appliance, two systems of insulation are provided instead of grounding. No grounding means is provided on a double-insulated appliance, nor should a means for grounding be added. Servicing a double-insulated appliance requires extreme care and knowledge of the system, and should be done only by qualified service personnel. **Replacement parts must be identical to those parts being replaced.** A double-insulated appliance is marked with the words "DOUBLE-INSULATION" or "DOUBLE-INSULATED".

The symbol  may also be marked on the appliance.