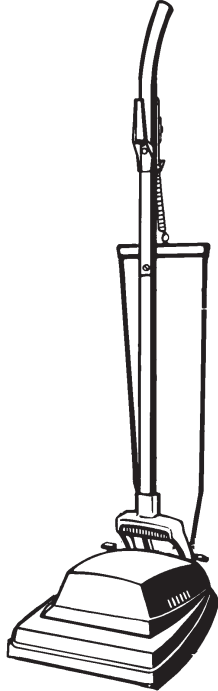




**TRIPLE S**

**Read these instructions before operating cleaner**

**ProSpec RD4<sup>TF</sup> (Top Fill)**



**User's Manual**  
**ENGLISH → pp. 1-6**  
ESPAÑOL → pág 7-10  
FRANÇAIS → p. 11-14

**Record and retain**

**Model ProSpec RD4<sup>TF</sup> Serial No.** \_\_\_\_\_

(Located on bottom of cleaner)

**Purchased From** \_\_\_\_\_

**Important Safeguards**

When using an electrical appliance, always follow basic precautions, including the following:  
**READ ALL INSTRUCTIONS BEFORE USING THIS APPLIANCE**

**Warning:** To reduce the risk of fire, electric shock, or injury:

- Do not use outdoors or on wet surfaces.
- This appliance is provided with double insulation. Use only identical replacement parts. See instructions for servicing of double-insulated appliances.
- Close supervision is necessary when any appliance is used by or near children. Do not allow vacuum cleaner to be used as a toy or to run unattended at any time.
- Keep hair, loose clothing, fingers, feet and all parts of body away from openings, rotating agitator and any other moving parts. Do not operate cleaner in bare feet or when wearing open toe shoes or sandals.
- Do not pick up anything that is burning or smoking, such as cigarettes, matches, or hot ashes.
- Do not use to pick up flammable or combustible liquids such as gasoline or fine wood sandings or use in areas where they may be present.
- Avoid picking up hard, sharp objects with the cleaner. They may damage the cleaner.
- Do not use without dust bag or filters in place. Empty or change bag frequently when picking up very fine materials such as powder.
- Use extra care when cleaning on stairs.
- Do not put any object into openings. Do not use with any opening blocked; keep free of dust, lint, hair, and anything that may reduce air flow.
- Do not pull or carry by cord, use cord as a handle, close door on cord or pull cord around sharp edges or corners. Do not run appliance over cord. Keep cord away from heated surfaces.
- Always disconnect cord from electrical outlet before servicing the cleaner.
- Unplug cleaner when not in use. Turn off all controls before unplugging.
- Do not unplug by pulling on cord. To unplug, grasp the plug, not the cord. Never handle plug or appliance with wet hands.
- The use of an extension cord is not recommended. If an extension cord is absolutely necessary, use at least a 16 gauge 3-wire cord which has a 3-prong grounding type plug and a 3-pole receptacle that accepts the machine plug.
- Do not use with damaged cord or plug. If appliance is not working as it should, has been dropped, damaged, left outdoors, or dropped into water, take it to a Triple S Authorized Dealer.
- Use vacuum cleaner only for its intended use as described in this user's manual. Use only attachments recommended by Triple S; others may cause hazards.

**Index**

Assembling Cleaner .....2-3

How To Use

  Cleaner Description .....3

If You Have a Problem .....6

Important Safeguards .....1

Maintenance

  Authorized Service .....6

  Lubrication .....6

  Replacing Agitator Brushes .....5

  Replacing Belt .....5

  Replacing Filter Bag .....4

**DOUBLE INSULATED:** When servicing, use only identical replacement parts.

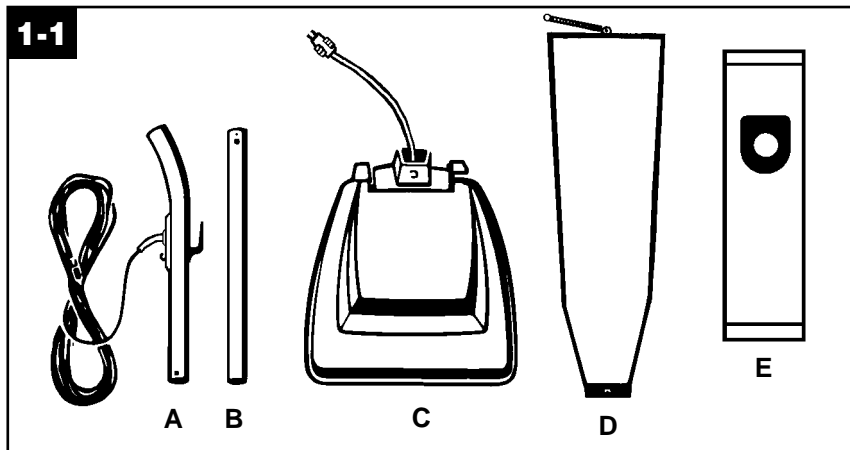
This cleaner meets Occupational Safety and Health Act (OSHA-29 CFR 1910 Subpart S) requirements.



**Save these instructions!**

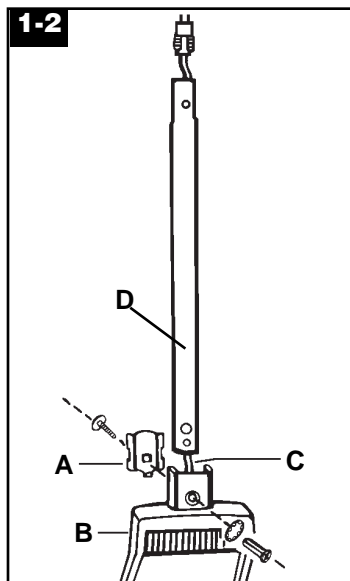
# 1. Assembling cleaner

## Carton contents



Remove all parts from carton and identify each item shown.

## Step 1 Assemble handle



### Lower handle assembly

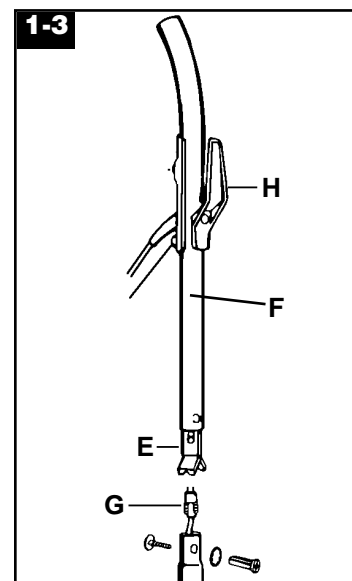
Remove nut, lock washer, bolt and plate (A) from handle bail (B). Also remove nut, lock washer and bolt from top of lower handle section.

Insert cord (C) extending from bail through straight lower handle section (D), starting at end with large and small holes.

Push lower handle section down into bail. Large hole should line up with hole in bail.

Reposition plate at back of handle, inserting projection on plate into small hole and aligning notches on plate with matching areas on handle bail. Insert bolt through plate; reassemble lock washer and nut.

Tighten nut **securely** with screwdriver.



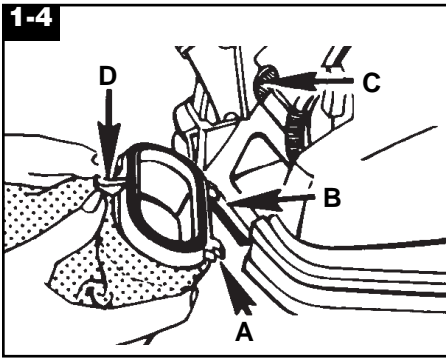
### Upper handle assembly

Pull out receptacle (E) from bottom of upper handle section (F).

Connect receptacle to plug (G) extending from top of lower handle section.

With cord storage hook (H) toward front of cleaner, slide handle sections together. Align holes.

Insert bolt through square hole on back of handle and secure with nut through lockwasher. **Tighten nut with screwdriver.**



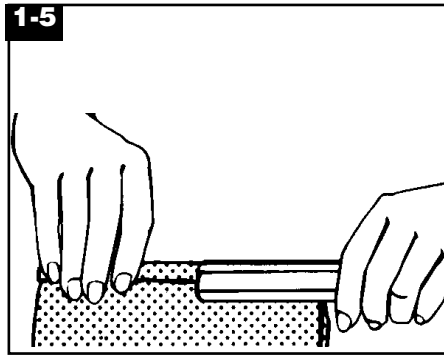
### 1-4 Attach cloth bag to cleaner

The cloth bag is connected at the rear of the cleaner.

There are two projections (A) at the bottom of the cloth bag assembly that should be placed firmly inside the grooved plate (B) at the rear of cleaner.

Slide lock lever (C) to the left and pivot bag fully forward.

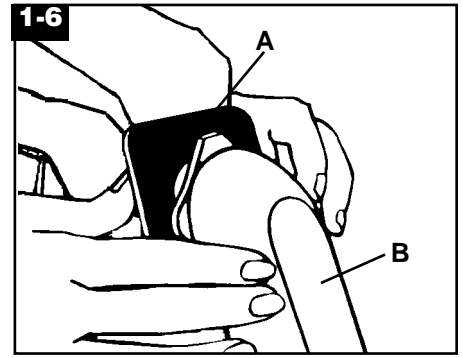
When you release the lock lever, it will move to the right. Push lever to fit completely over the bag lock (D).



### 1-5 Attach paper bag

Your cleaner includes an **Allergen Filtration Type A** disposable paper bag.

Slide bag closure clip from top of cloth bag.



Place paper bag into cloth bag. Push bag collar (A) **firmly** onto tube (B).

Pull out pleats of paper bag.

Replace bag closure clip.

Attach bag to bag spring hook located on upper handle section.

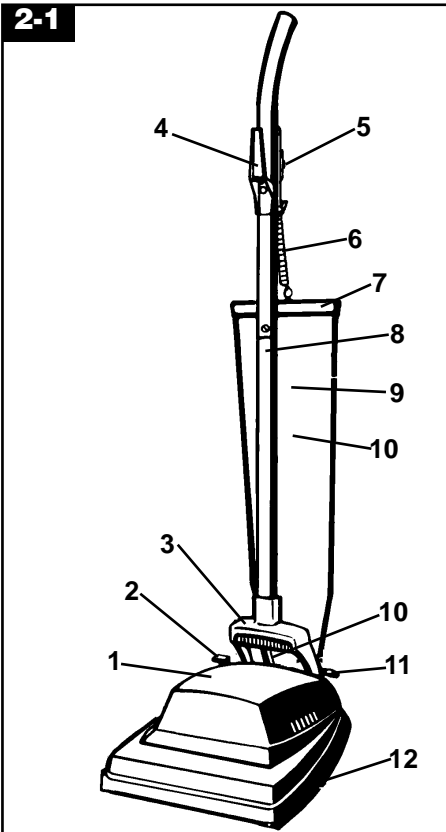
Plug cord into electrical outlet and push switch down to turn cleaner "ON", making sure cleaner operates.

Turn cleaner "OFF", unplug and loop cord around cord storage hook.

**Please record the serial number, located on the bottom of the cleaner, on the front page of User's Manual.**

## 2. How to use

### Cleaner description



The assembled cleaner will look like the drawing.

1. **Hood**
2. **Carpet height adjustment lever:** adjusts nozzle to carpet pile height; LOW, NORMAL, HIGH and SHAG.
3. **Handle bail/carrying handle**
4. **Cord storage hook:** loop cord over hook for storage
5. **ON/OFF switch:** push switch down to turn cleaner ON; push switch down again to turn cleaner OFF.
6. **Spring hook:** place spring on hook to support bag
7. **Bag closure clip**
8. **Handle**
9. **Cloth bag**
10. **Lock lever**
11. **Handle release lever:** step on lever to lower handle to operating and low positions.
12. **Furniture guard:** helps prevent cleaner from marking furniture.

**Continued →**

Operate cleaner only at voltage specified on data plate on bottom of cleaner.

**WARNING: Electrical shock could occur if used outdoors or on wet surfaces.**

To reduce the risk of electric shock, this appliance has a polarized plug (one blade is wider than the other). This plug will fit in a polarized outlet only one way. If the plug does not fit fully in the outlet, reverse the plug. If it still does not fit, contact a qualified electrician to install the proper outlet. Do not change the plug in any way.

## Carpet height adjustment

It is necessary to raise and lower the nozzle for various carpet pile heights.

**For best results, the lever is conveniently adjusted by hand.**

Select the adjustment for the carpet pile height by using the chart below as a guide.

---

**LOWEST POSITION (lever completely forward) - for short pile and indoor-outdoor type carpet**

---

**NORMAL POSITION (one notch down) - for carpet with normal pile height and for removing loose dirt from hard surface floors**

---

**HIGH POSITION (two notches down) - for carpet with normal pile height but thicker density**

---

**HIGHEST POSITION (lever completely down) - for very long or very thick pile carpet**

---

**Note:** If the cleaner is difficult to push, move lever to next higher setting. This will decrease the belt load and pushing effort.

## Edge cleaning

A passageway on the cleaner bottom plate improves the cleaning of carpet near baseboards and solid furniture. Slowly guide either side of cleaner along edge of carpet.

**Disconnect cleaner from electrical outlet before attempting to service it in any manner.**

## 3. Maintenance

### Power cord

To reduce twisting of the power cord, start coiling cord at connection to cleaner. Store coiled cord on cord storage hook.

### The bag

#### Where to buy

Filter bags may be purchased from a Triple S Authorized Dealer.

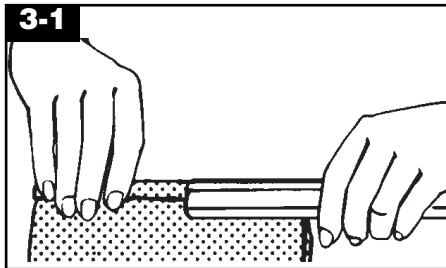
#### What to buy

Use only **Type A** disposable filter bags in order to maintain the original cleaning effectiveness of your cleaner.

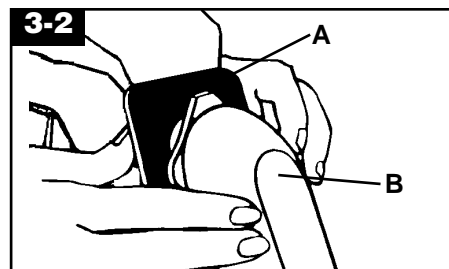
### How to replace

#### Disconnect cleaner from electrical outlet.

Place handle in operating position and unhook bag spring from handle. Return handle to upright position.



Slide bag closure clip from top of bag.



Place paper bag into cloth bag. Then push bag collar (A) firmly onto tube (B). Pull out pleats of paper bag. Replace bag closure clip. Attach bag spring to hook on handle. Check paper bag from time to time. It is recommended that you change the bag when dirt reaches the dotted line.

To change paper bag, grasp sides of bag collar (A) and pull collar from tube (B).

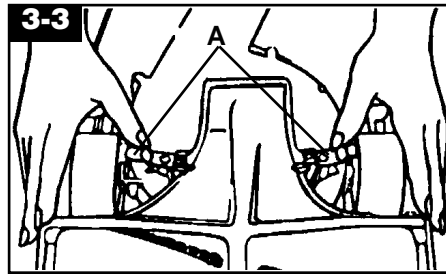
**Note: Do not clean out old bag and reuse. Discard used bag.**

## Agitator belt

### When to replace

Disconnect cleaner from electrical outlet before checking or replacing belt.

To check the belt, remove bottom plate (see following section). If belt is stretched, cut or broken, or if the agitator brushes are being replaced, replace belt.

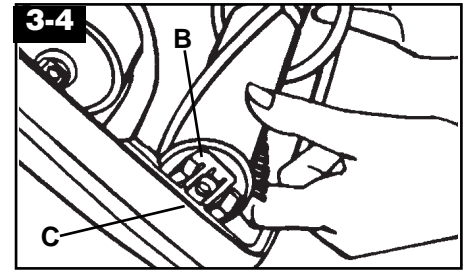


### How to replace

Turn cleaner over. Remove bottom plate by releasing latches (A).

### What to buy

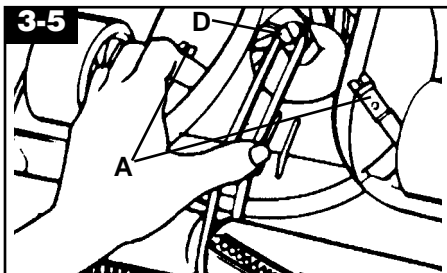
When purchasing a new belt, ask for **part No. 44783**.



Release worn belt from pulley.

Lift out agitator, remove old belt and place new belt in groove of agitator.

Replace agitator. On one end of agitator roll there is a raised metal plate (B). Make sure that this end is placed in slotted side of cleaner (C).



Place belt on pulley (D). **Side of belt nearer cleaner should be in line with ribs on bottom of cleaner.**

To replace bottom plate, place metal knobs on front end of plate in wire holders. Check to see that latches (A) are pushed back and will not be covered by plate. Place plate in position and latch securely.

## Agitator brushes

Disconnect cleaner from electrical outlet before checking or replacing brushes.

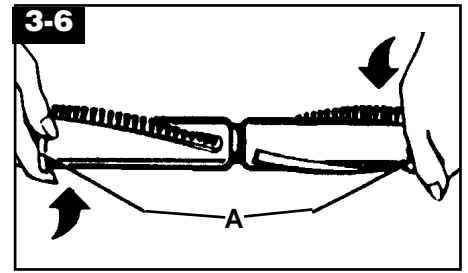
### When to replace

To check condition of brushes, move edge of a card across agitator opening while turning agitator by hand. Replace brushes if they do not touch edge of card.

**Note:** The agitator belt should be replaced each time the brush roll is replaced.

### What to buy

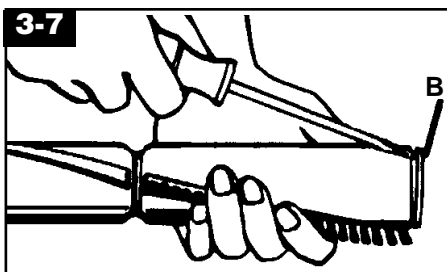
When purchasing new brushes, ask for **part No. 48445001**.



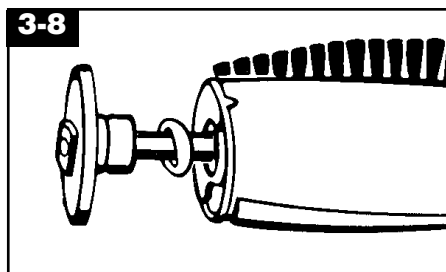
### How to replace

Disconnect cleaner from electrical outlet.

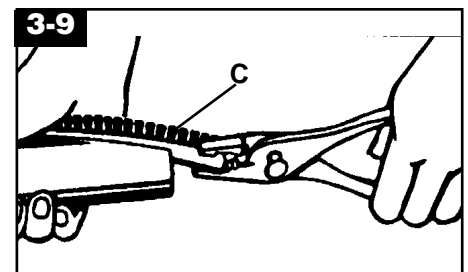
1. Remove bottom plate, belt and agitator.
2. Turn end plates of agitator (A) in opposite directions until one end plate comes off.



3. Then pry out end section (B) as shown.

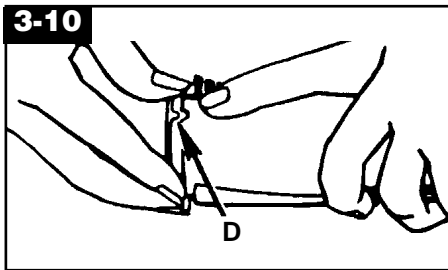


4. Remove opposite end plate and shaft by pulling straight out. Pry out remaining end section.

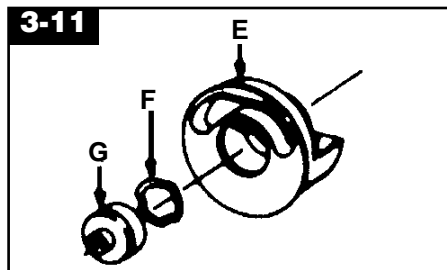


5. Pull brushes (C) out of agitator slots, using pliers if necessary. Slide new brushes completely into channels.

**Continued →**



6. To reassemble, replace last end section removed, then end plate and shaft. Replace remaining end section and end plate. Be sure end sections are assembled with locator (D) lined up with slot in agitator.



**Note:** Should you accidentally displace the bearing during disassembly, reassemble as shown.

Place new belt in groove on agitator. Replace agitator bottom plate as directed when replacing belt.

## Lubrication

The motor is equipped with bearings which contain sufficient lubrication for the life of the motor. The addition of lubricant could cause damage.

**Do not add lubricant to motor bearings.**

The agitator is equipped with two ball bearings that should be lubricated periodically by a Triple S Authorized Dealer.

## Service

To obtain approved Triple S service and genuine Triple S parts, contact a Triple S Authorized Dealer.

Always identify your cleaner by the **complete** model number when requesting information or ordering parts. (The model number appears on the bottom of the cleaner.)

## If you have a problem

If a minor problem occurs, it usually can be solved quite easily when the cause is found by using the check list below.

### Problem: Cleaner won't run

**Possible cause**  
*Possible solution*

- **Not firmly plugged in**
- *Plug unit in firmly*
- **No voltage in wall plug**
- *Check fuse or breaker*
- **Blown fuse/tripped breaker**
- *Replace fuse/reset breaker*

### Problem: Cleaner won't pick up

**Possible cause**  
*Possible solution*


- **Broken or worn belt**
- *Replace belt*
- **Agitator brushes worn**
- *Replace brushes*
- **Bag full**
- *Empty cloth bag or replace paper bag*
- **Incorrect carpet height setting**
- *Lower carpet height setting*

### Problem: Cleaner hard to push

**Possible cause**  
*Possible solution*

- **Incorrect carpet height setting**
- *Raise carpet height setting*
- **Belt on backwards**
- *Position belt correctly*

## Servicing of double-insulated appliances

This vacuum cleaner is double insulated. In a double-insulated appliance, two systems of insulation are provided instead of grounding. No grounding means is provided on a double-insulated appliance, nor should a means for grounding be added. Servicing a double-insulated appliance requires extreme care and knowledge of the system, and should be done only by qualified service personnel. Replacement parts must be identical to those parts being replaced. A double-insulated appliance is marked with the words "DOUBLE-INSULATION" or "DOUBLE INSULATED". The symbol  may also be marked on the appliance.