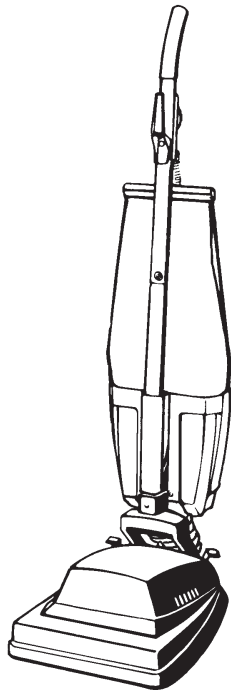




Read these instructions before operating cleaner

ProSpec RD4DC (Dirt Cup)



User's Manual
ENGLISH → pp. 1-6
ESPAÑOL → pág 7-10
FRANÇAIS → p. 11-14

Record and retain

Model **ProSpec RD4DC** Serial No. _____

(Located on bottom of cleaner)

Purchased From _____

Important Safeguards

When using an electrical appliance, always follow basic precautions, including the following:

READ ALL INSTRUCTIONS BEFORE USING THIS APPLIANCE

Warning:

To reduce the risk of fire, electric shock, or injury:

- Do not use outdoors or on wet surfaces.
- This appliance is provided with double insulation. Use only identical replacement parts. See instructions for servicing of double-insulated appliances.
- Close supervision is necessary when any appliance is used by or near children. Do not allow vacuum cleaner to be used as a toy or to run unattended at any time.
- Keep hair, loose clothing, fingers, feet and all parts of body away from openings, rotating agitator and any other moving parts. Do not operate cleaner in bare feet or when wearing open toe shoes or sandals.
- Do not pick up anything that is burning or smoking, such as cigarettes, matches, or hot ashes.
- Do not use to pick up flammable or combustible liquids such as gasoline or fine wood sandings or use in areas where they may be present.
- Avoid picking up hard, sharp objects with the cleaner. They may damage the cleaner.
- Do not use without dust bag or dirt cup in place. Shake outer bag and empty dirt cup frequently when picking up very fine materials such as powder.
- Use extra care when cleaning on stairs.
- Do not put any object into openings. Do not use with any opening blocked; keep free of dust, lint, hair, and anything that may reduce air flow.
- Do not pull or carry by cord, use cord as a handle, close door on cord or pull cord around sharp edges or corners. Do not run appliance over cord. Keep cord away from heated surfaces.
- Always disconnect cord from electrical outlet before servicing the cleaner.
- Unplug cleaner when not in use. Turn off all controls before unplugging.
- Do not unplug by pulling on cord. To unplug, grasp the plug, not the cord. Never handle plug or appliance with wet hands.
- The use of an extension cord is not recommended. If an extension cord is absolutely necessary, use at least a 16 gauge 3-wire cord which has a 3-prong grounding type plug and a 3-pole receptacle that accepts the machine plug.
- Do not use with damaged cord or plug. If appliance is not working as it should, has been dropped, damaged, left outdoors, or dropped into water, take it to a Triple S Authorized Dealer.
- Use vacuum cleaner only for its intended use as described in this user's manual. Use only attachments recommended by Triple S; others may cause hazards.

Index

Assembling Cleaner2-3
 How To Use
 Cleaner Description3
 If You Have a Problem6
 Important Safeguards1
 Maintenance
 Authorized Service6
 Emptying Dirt Cup4
 Lubrication6
 Replacing Agitator Brushes5-6
 Replacing Belt5

DOUBLE INSULATED: When servicing, use only identical replacement parts.

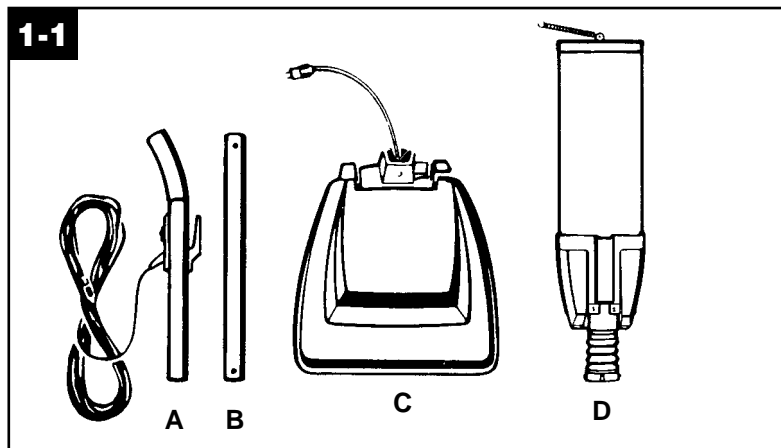
This cleaner meets Occupational Safety and Health Act (OSHA-29 CFR 1910 Subpart S) requirements.



Save these instructions!

1. Assembling cleaner

Carton contents



Remove all parts from carton and identify each item shown.

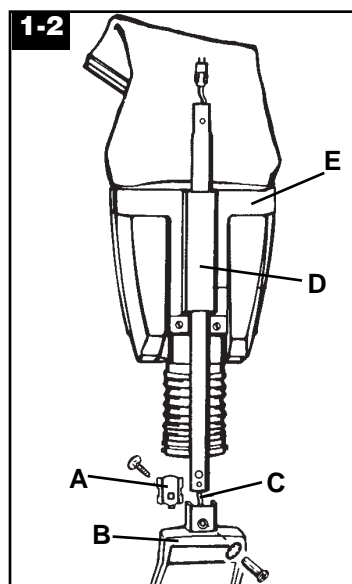
A. Upper handle section

B. Lower handle section

C. Cleaner main body and hood assembly

D. Dirt cup assembly

Step 1 Assemble handle



Lower handle assembly

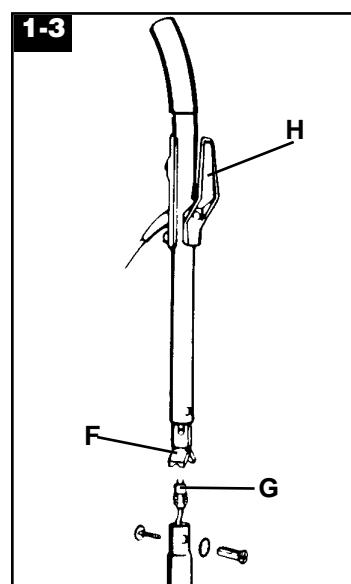
Remove nut, lock washer, bolt and plate (A) from handle bail (B). Also remove nut, lock washer and bolt from top of lower handle section.

Insert cord (C) extending from bail through straight lower handle section, starting at end with large and small holes.

Push lower handle section down into bail. Large hole should line up with hole in bail.

Reposition plate at back of handle, inserting projection on plate into small hole and aligning notches on plate with matching areas on handle bail. Insert bolt through plate; reassemble lock washer and nut. Tighten nut **securely** with screwdriver.

Slide channel (D) of dirt cup assembly (E) over lower handle section.



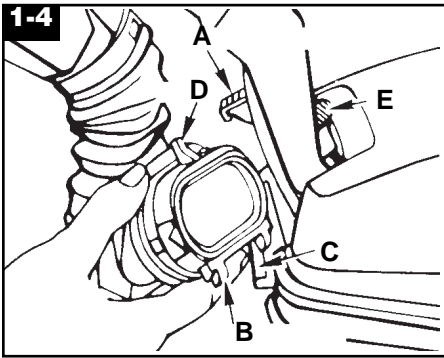
Upper handle assembly

Pull out receptacle (F) from bottom of upper handle section.

Connect receptacle to plug (G) extending from top of lower handle section.

With cord storage hook (H) toward front of cleaner, slide handle sections together. Align holes.

Insert bolt through square hole on back of handle and secure with nut through lockwasher. **Tighten nut with screwdriver.**

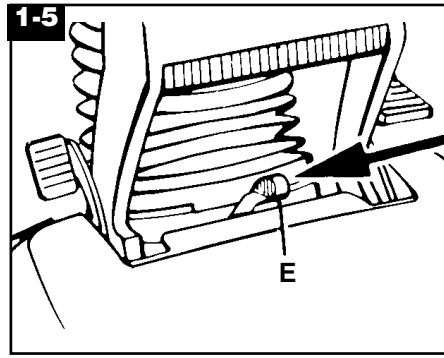


Attach dirt cup assembly to cleaner

The dirt cup assembly is connected at the rear of the cleaner.

Lower handle to operation position by depressing handle release lever (A).

There are two projections (B) on the metal connector at the bottom of the dirt cup assembly. These should be placed firmly inside the grooved plate (C) at the rear of cleaner.



Slide lock lever (E) to the left and pivot metal connector fully forward.

When you release the lock lever, it will move to the right. Push lever to fit completely over the bag lock (D) (Fig. 1-4).

Attach the spring on the top of the dirt cup assembly to the spring hook located on the back of the handle.

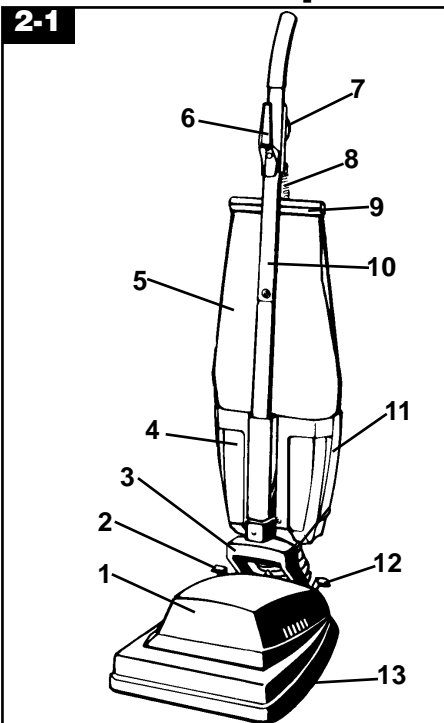
Plug cord into electrical outlet and push switch down to turn cleaner "ON", making sure cleaner operates.

Turn cleaner "OFF", unplug and loop cord around cord storage hooks.

Please record the serial number, located on the bottom of the cleaner, on the front page of User's Manual.

2. How to use

Cleaner description



The assembled cleaner will look like the drawing.

1. **Hood**
2. **Carpet height adjustment lever:** adjusts nozzle to carpet pile height; LOW, NORMAL, HIGH and SHAG
3. **Handle bail/carrying handle**
4. **Dirt cup**
5. **Cloth bag**
6. **Cord storage hook:** loop cord over hook for storage
7. **ON-OFF switch:** push switch down to turn cleaner ON; push switch up to turn cleaner OFF
8. **Spring hook:** place spring on hook to support bag
9. **Bag closure clip**
10. **Handle**
11. **Latches:** located on both sides of dirt cup to lock dirt cup into position
12. **Handle release lever:** step on lever to lower handle to operating and low positions
13. **Furniture guard:** helps prevent cleaner from marking furniture

Continued →

Operate cleaner only at voltage specified on data plate on bottom of cleaner.

WARNING: Electrical shock could occur if used outdoors or on wet surfaces.

To reduce the risk of electric shock, this appliance has a polarized plug (one blade is wider than the other). This plug will fit in a polarized outlet only one way. If the plug does not fit fully in the outlet, reverse the plug. If it still does not fit, contact a qualified electrician to install the proper outlet. Do not change the plug in any way.

Carpet height adjustment

It is necessary to raise and lower the nozzle for various carpet pile heights.

For best results, the lever is conveniently adjusted by hand.

Select the adjustment for the carpet pile height by using the chart below as a guide.

LOWEST POSITION (lever completely forward) - for short pile and indoor-outdoor type carpet

NORMAL POSITION (one notch down) - for carpet with normal pile height and for removing loose dirt from hard surface floors

HIGH POSITION (two notches down) - for carpet with normal pile height but thicker density

HIGHEST POSITION (lever completely down) - for very long or very thick pile carpet

Note: If the cleaner is difficult to push, move lever to next higher setting. This will decrease the belt load and pushing effort.

Edge cleaning

A passageway on the cleaner bottom plate improves the cleaning of carpet near baseboards and solid furniture. Slowly guide either side of cleaner along edge of carpet.

Disconnect cleaner from electrical outlet before attempting to service it in any manner.

3. Maintenance

The dirt cup

The dirt picked up by the cleaner is deposited into the dirt cup. When empty, the cup can be cleaned with a damp cloth or rinsed with water. Be sure cup is dry before using.

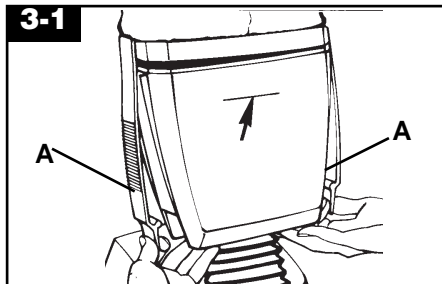
Emptying dirt cup

Frequently check the dirt level in the dirt cup. **It is recommended that you empty cup when dirt level reaches "Full Line" on back of cup (Fig. 3-1).** If more dirt is allowed to accumulate, your cleaner may not operate effectively and spillage may occur when cup is removed. Peak performance of your cleaner can be maintained by turning the cleaner OFF, unhooking bag spring, shaking the bag, and emptying the dirt cup frequently before it becomes full.

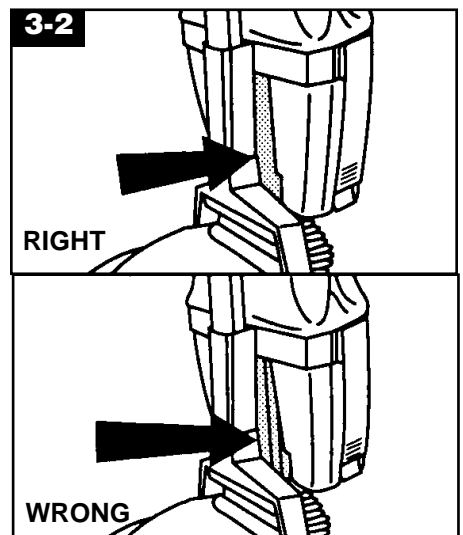
How to empty

Turn cleaner OFF and disconnect from electrical outlet.

Place handle in operating position and unhook spring from handle. While holding bag closure clip, shake bag vigorously to release dirt accumulated in bag. Rehook spring and place handle in upright position. Allow a few seconds for dirt to settle in cup.



While supporting bottom of cup, release the two latches (A) by pulling them outward. Remove cup and empty it.



Reposition cup into support at bottom of bag and snap latches into position. To prevent leaking, dirt cup must be positioned flat against dirt tube as shown.

Power cord

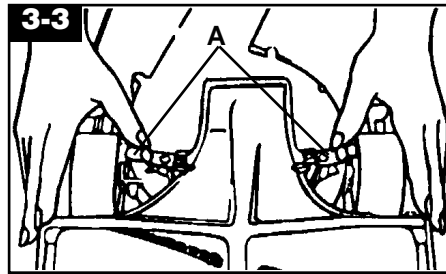
To reduce twisting of the power cord, start coiling cord at connection to cleaner. Store coiled cord on cord storage hook.

Agitator belt

When to replace

Disconnect cleaner from electrical outlet before checking or replacing belt.

To check the belt, remove bottom plate (see following section). If belt is stretched, cut or broken, or if the agitator brushes are being replaced, replace belt.

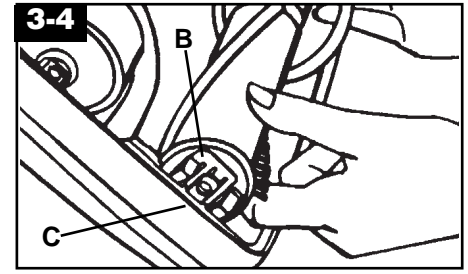


How to replace

Turn cleaner over. Remove bottom plate by releasing latches (A).

What to buy

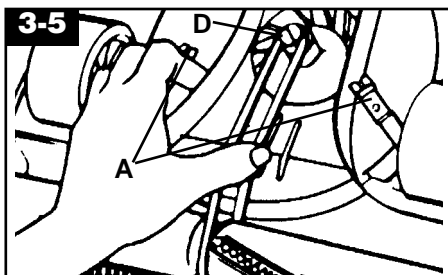
When replacing belt, ask for **part No. 44783**.



Release worn belt from pulley.

Lift out agitator, remove old belt and place new belt in groove of agitator.

Replace agitator. On one end of agitator roll there is a raised metal plate (B). Make sure that this end is placed in slotted side of cleaner (C).



Place belt on pulley (D). **Side of belt nearer cleaner should be in line with ribs on bottom of cleaner.**

To replace bottom plate, place metal knobs on front end of plate in wire holders. Check to see that latches (A) are pushed back and will not be covered by plate. Place plate in position and latch securely.

Agitator brushes

Disconnect cleaner from electrical outlet before checking or replacing brushes.

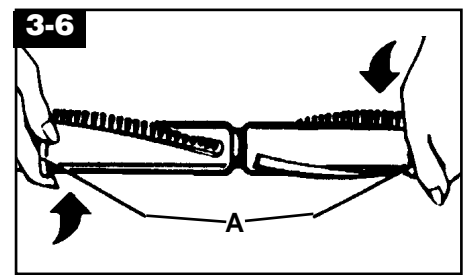
When to replace

To check condition of brushes, move edge of a card across agitator opening while turning agitator by hand. Replace brushes if they do not touch edge of card.

Note: The agitator belt should be replaced each time the brush roll is replaced.

What to buy

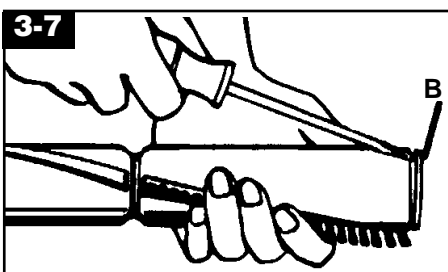
When purchasing new brushes, ask for **part No. 48445001**.



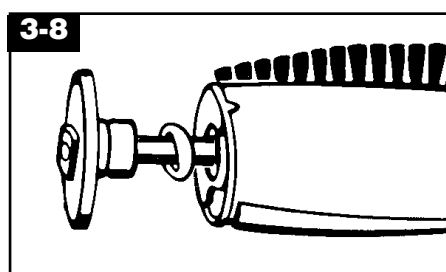
How to replace

Disconnect cleaner from electrical outlet.

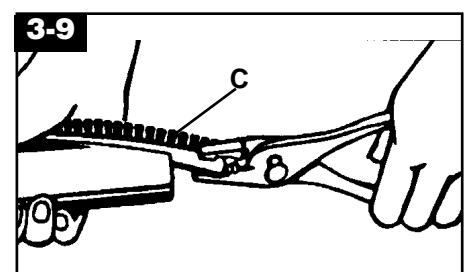
1. Remove bottom plate, belt and agitator.
2. Turn end plates of agitator (A) in opposite directions until one end plate comes off.



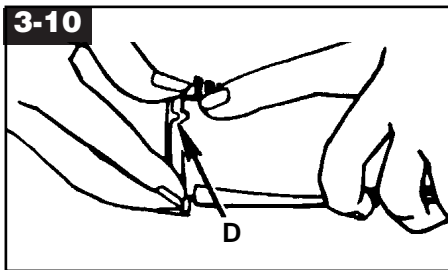
3. Then pry out end section (B) as shown.



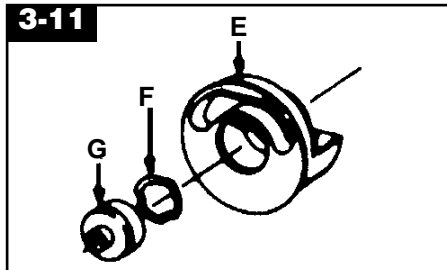
4. Remove opposite end plate and shaft by pulling straight out. Pry out remaining end section.



5. Pull brushes (C) out of agitator slots, using pliers if necessary. Slide new brushes completely into channels.



6. To reassemble, replace last end section removed, then end plate and shaft. Replace remaining end section and end plate. Be sure end sections are assembled with locator (D) lined up with slot in agitator.



Note: Should you accidentally displace the bearing during disassembly, reassemble as shown.

Place new belt in groove on agitator. Replace agitator bottom plate as directed when replacing belt.

Lubrication

The motor is equipped with bearings which contain sufficient lubrication for the life of the motor. The addition of lubricant could cause damage. **Do not add lubricant to motor bearings.**

The agitator is equipped with two ball bearings that should be lubricated periodically by a Triple S Authorized Dealer.

Service

To obtain approved Triple S service and genuine Triple S parts, contact a Triple S Authorized Dealer.

Always identify your cleaner by the **complete** model number when requesting information or ordering parts. (The model number appears on the bottom of the cleaner.)

If you have a problem

If a minor problem occurs, it usually can be solved quite easily when the cause is found by using the check list below.

Problem: Cleaner won't run

Possible cause

Possible solution

- **Not firmly plugged in**
- *Plug unit in firmly*
- **No voltage in wall plug**
- *Check fuse or breaker*
- **Blown fuse/tripped breaker**
- *Replace fuse/reset breaker*

Problem: Cleaner won't pick up

Possible cause

Possible solution

- **Broken or worn belt**
- *Replace belt*
- **Agitator brushes worn**
- *Replace brushes*
- **Dirt cup full**
- *Empty dirt cup*
- **Incorrect carpet height setting**
- *Lower carpet height setting*
- **Bag dirty**
- *Unhook and shake bag*

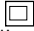
Problem: Cleaner hard to push

Possible cause

Possible solution

- **Incorrect carpet height setting**
- *Raise carpet height setting*
- **Belt on backwards**
- *Position belt correctly*

Servicing of double-insulated appliances

This vacuum cleaner is double insulated. In a double-insulated appliance, two systems of insulation are provided instead of grounding. No grounding means is provided on a double-insulated appliance, nor should a means for grounding be added. Servicing a double-insulated appliance requires extreme care and knowledge of the system, and should be done only by qualified service personnel. Replacement parts must be identical to those parts being replaced. A double-insulated appliance is marked with the words "DOUBLE-INSULATION" or "DOUBLE INSULATED". The symbol  may also be marked on the appliance.

