



# FLOOR MACHINES

## Q-LINE SERIES MODELS Q-17 & Q-20

### INTRODUCTION

### OPERATING & MAINTENANCE INSTRUCTIONS

---

#### READ THIS BOOK

This operator's book has important information for the use and safe operation of this machine. Read this book carefully before starting the machine. Keep this book and tell all operators to read the book. If you do not follow the instructions, you can cause an injury or damage equipment, furniture or buildings.

For new books write to:

**Triple S**  
2 Executive Park Drive  
Billerica, MA 01862

Carefully inspect all components to ensure that there is no concealed freight damage. If such damage is discovered, file a "CONCEALED DAMAGE REPORT" immediately with the delivering carrier.

The contents of this manual are based on the latest product information available at the time of publication. Triple S reserves the right to make changes or improvements to its machines without notice.

#### FOR YOUR CONVENIENCE, RECORD THIS IMPORTANT INFORMATION:

MODEL \_\_\_\_\_

SERIAL NUMBER \_\_\_\_\_

PART NUMBER \_\_\_\_\_

DATE PURCHASED \_\_\_\_\_

# IMPORTANT SAFETY INSTRUCTIONS

To assure the safe operation of this machine, you must read and understand all warnings and instructions in this book. If you do not understand, ask your supervisor.

## READ ALL INSTRUCTIONS BEFORE USING THIS MACHINE

### WARNING: To reduce the risk of fire, electric shock, or injury:

1. You must be trained to operate this machine. This machine is to be operated for its intended use only.
2. Do not operate this machine unless it is completely assembled.
3. Always use a three-wire electrical system connected to the electrical ground. For maximum protection against electrical shock, use a circuit that is protected by a ground fault circuit interrupter. Consult your electrical contractor.
4. To prevent electric shock, always remove the electrical plug from the electrical outlet before doing any repairs or maintenance and when leaving the machine unattended.
5. To prevent electric shock, keep the machine surface dry. Do not subject to rain. Store the machine in a dry building area. Clean the machine with a dry cloth only.
6. Machines can cause an explosion when near flammable materials and vapors. Do not use this machine with or near fuels, grain dust, solvents, thinners, or other flammable materials. Do not use flammables to clean this machine.
7. A qualified or authorized person must do maintenance and repairs.
8. To prevent damage to the power cord, do not move this machine over the power cord. Always lift the power cord over the machine. Do not pull or carry cord, use cord as a handle, close a door on cord, or pull cord around sharp edges or corners. Keep cord away from heated surfaces.
9. Do not use with damaged cord or plug. If the machine is not working as it should, has been dropped, damaged, left outdoors, or dropped into water, return it to a service center.

## Grounding Instructions

This machine must be grounded. If it should malfunction or break down, grounding provides a path of least resistance for electric current to reduce the risk of electric shock. This machine is equipped with a cord having an equipment-grounding conductor and a grounding plug. The plug must be inserted into an appropriate outlet that is properly installed and grounded in accordance with all local codes and ordinances.

**WARNING** - Improper connection of the equipment-grounding conductor can result in a risk of electric shock. Check with a qualified electrician or service person if you are in doubt as to whether the outlet is properly grounded. Do not modify the plug provided with the machine - if it will not fit the outlet, have a proper outlet installed by a qualified electrician.

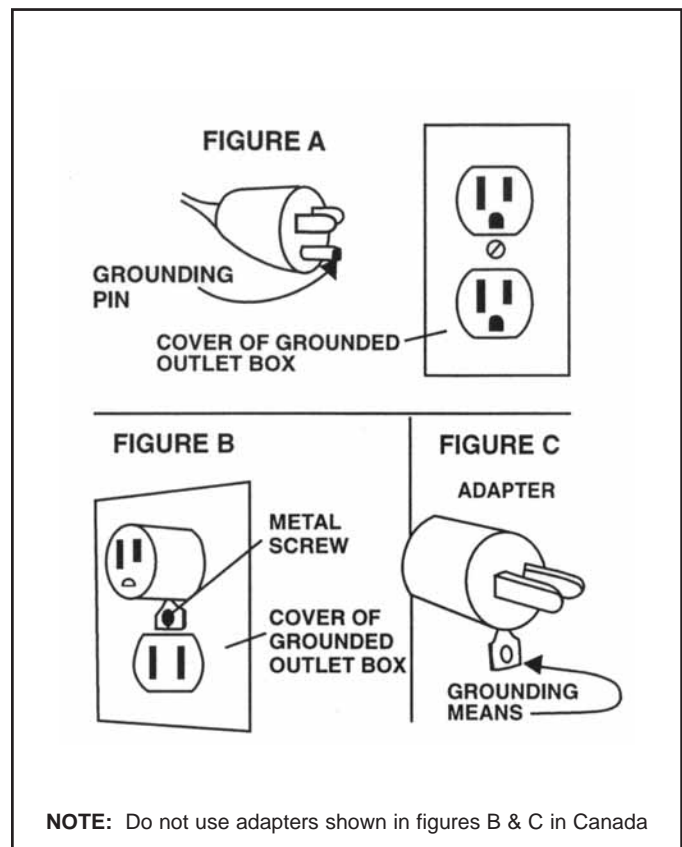
This machine is for use on a nominal 120-volt circuit, and has a grounded plug that looks like the plug illustrated in figure A. A temporary adapter that looks like the adapter illustrated in figures B and C may be used to connect this plug to a 2-pole receptacle as shown in figure B if a properly grounded outlet is not available. The temporary adapter should be used only until a properly grounded outlet (figure A) can be installed by a qualified electrician. The green colored rigid ear, lug, or the like extending from the adapter must be connected to a permanent ground such as a properly grounded outlet box cover. Whenever the adapter is used, it must be held in place by a metal screw.

*NOTE: In Canada, the use of a temporary adapter is not permitted by the Canadian Electrical Code*

### EXTENSION CORDS

Use only three-wire 12/3 or larger gauge approved extension cords that have three-prong grounding type plugs and three-pole receptacles that accept the appliance's plug. Replace or repair any damaged cords or plugs.

When servicing, refer to authorized person only. Use only identical replacement parts.



# OPERATING PROCEDURES

---

**WARNING!** For the safe operation of this machine follow the instructions given in this manual and the training given by your supervisor. Failure to do so can result in personal injury and/or damage to machine and property!

**DO NOT OPERATE MACHINE IN AN EXPLOSIVE ENVIRONMENT!**

This machine is intended for commercial use.

## PREPARATION

---

To prepare the machine for operation, make sure it is of correct voltage and properly assembled.

Your new floor machine operates in the normal side to side motion of a conventional single disc machine. Be prepared before starting by removing all obstructions or other obstacles in the area to be cleaned. Check the proper application recommendations and procedures found on the label of your cleaning or finish container. **IF IN DOUBT, CALL YOUR SUPERVISOR.**

**WARNING! NEVER USE THIS MACHINE WITH FLAMMABLE OR EXPLOSIVE MATERIAL!**

**For Scrubbing or Polishing:** Select the correct clean SSS floor pad or brush (your Triple S Distributor can assist you). If in doubt, ask your supervisor.

**NEVER OPERATE THE MACHINE WITHOUT THE FLOOR PAD OR BRUSH INSTALLED!**

To properly attach the brush, **UNPLUG THE FLOOR MACHINE**, place the handle in the vertical position, then tilt the machine back until the handle rests on the floor. Straddle the handle, facing the motor, and grasp the brush with the block toward you. Place the brush or pad clutch plate over the three lugs on the motor drive adapter. Twist the brush right to lock it into position. To remove the brush, **UNPLUG THE MACHINE** and follow the same procedure as above, but by twisting the brush off with a firm jerk to the left. Remove the brush or pad driver when the machine is not in use. This will help prevent brush damage and reduce wobble problems.

## OPERATION

---

Plug the machine's power cable into a properly grounded outlet (see Safety Instructions). Next, adjust the handle height to a comfortable position.

Pull out on the "Watch Dog" Safety Lock button and start the machine by depressing either the left or right switch levers.

Both hands should be placed on the handle when the machine is in operation. The machine will glide sideways over the floor by a slight raising and lowering of the handle. Raise the handle slightly to go to the right. Lower the handle slightly to go left. **Releasing the switch lever stops the machine at once.**

## MAINTENANCE

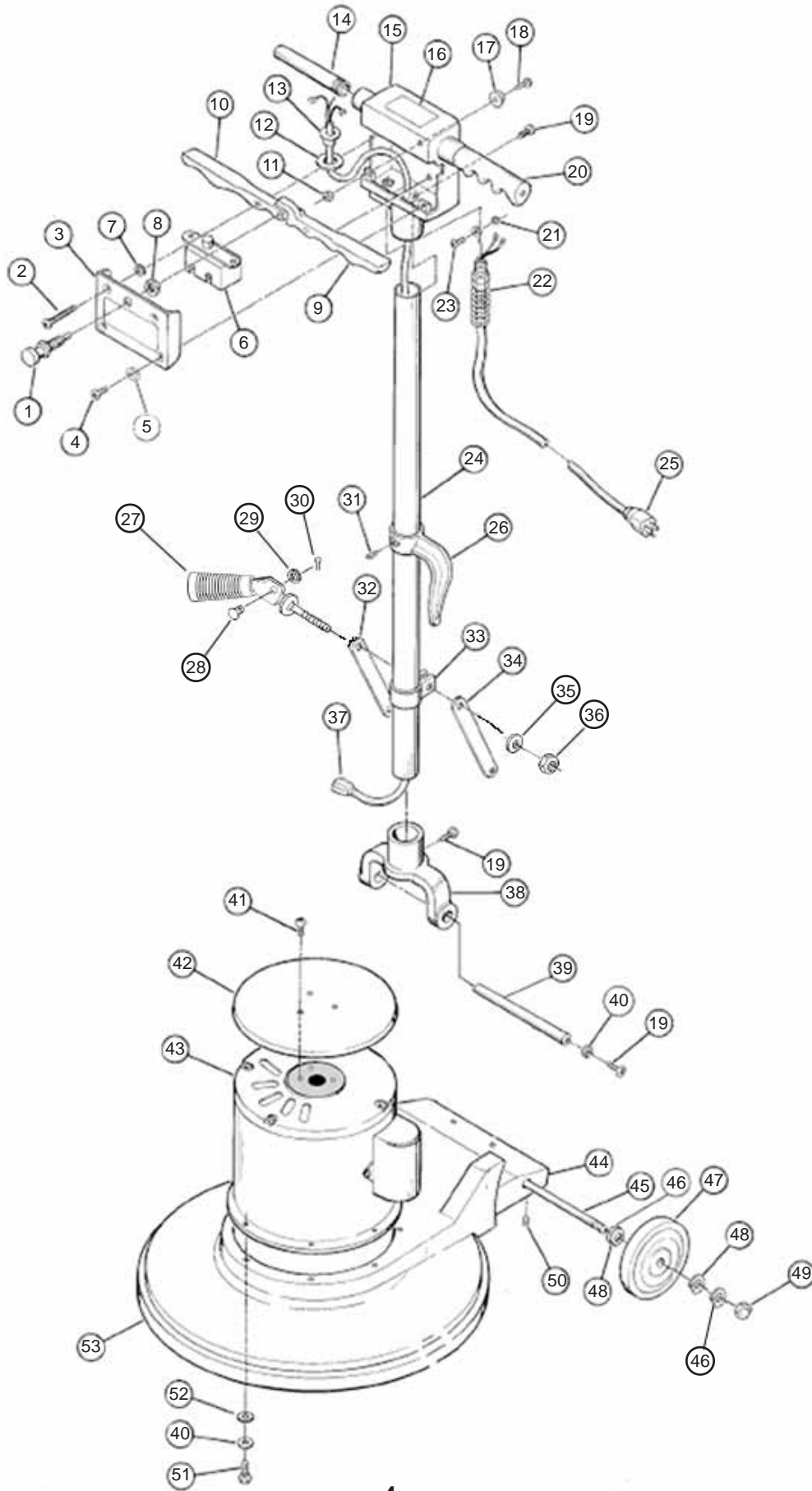
---

**AFTER EACH USE:** Store the machine in a clean dry area. Wipe the entire machine and cord down with a clean cloth. Remove the pad or brush and clean thoroughly. Wrap the machine's electrical cord onto the handles and the cord hook provided. **CHECK** the cord and plug for nicks, cuts or damage. Report these to your supervisor for correction.

**WARNING! Always disconnect the machine's electrical plug from the electrical outlet before performing any service, maintenance, pad changing or inspection of the machine.**

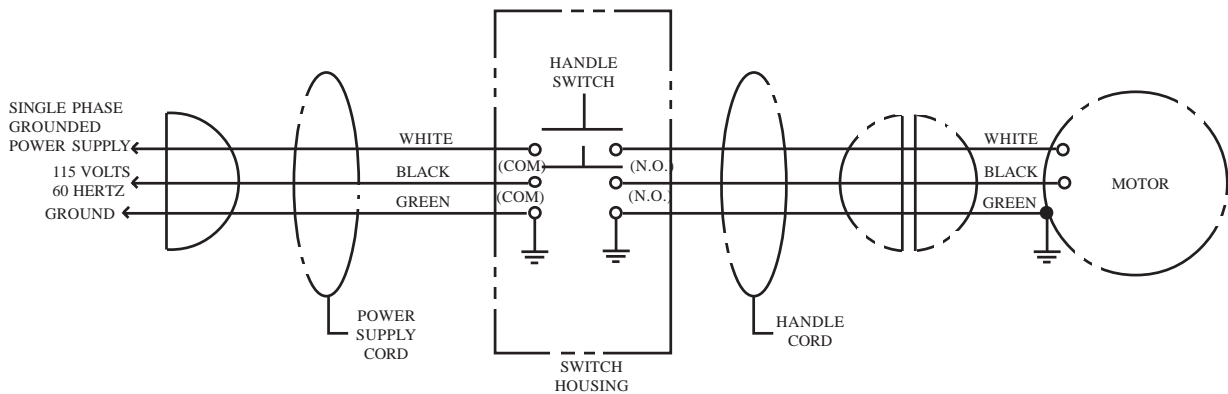
**MOTOR:** The motor is lubricated for life under normal use. No oiling or greasing is necessary. However, if the machine is used in dusty areas or is used for spray buffing, the motor should be cleaned. Blowing the motor out with compressed air or with the exhaust from a vacuum is suggested. Keeping the motor clean will allow the clear passage of air for ventilation and prevent overheating. If you have any questions regarding the maintenance of your floor machine, **ASK YOUR SUPERVISOR.**

# Q-17 & Q-20

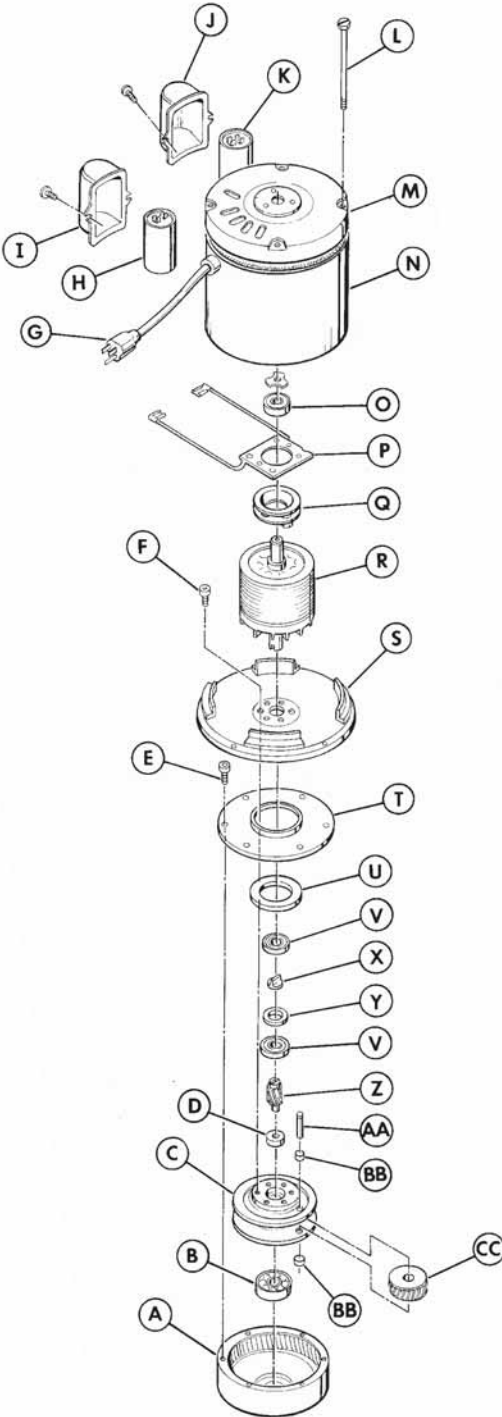


## Q-17 & Q-20 Parts List

ITEM	PART NO.	DESCRIPTION	QTY.	ITEM	PART NO.	DESCRIPTION	QTY.
1	504810	Interlock Assembly w/Nut	1	28	486701	Pin, Foot Latch	1
	506318	Label, Interlock Assembly	1	29	980004	Washer, 1/4 Flat	1
2	962011	Screw, 10-32 x 1 3/4 Oval	2	30	A13507	Pin, Cotter - 1/2 SS	1
3	486407C	Cover, Switch Box	1	31	962005	Screw, 1/4-20 x 3/8 Set	1
4	962002	Screw, 10-32 x 1/2 Oval	2	32	480805	Arm, Right	1
5	980018	Washer, #10 C-Sunk Ext.	1	33	482003	Clamp, Handle Tube	1
6	485002	Switch, On/Off	1	34	480804	Arm, Left	1
7	509821	Washer, Rubber	2	35	980003	Washer, 3/8 Flat	1
8	920005	Nut, 3/8-24 Hex Jam	1	36	924055	Nut, Lock M10 Zinc	1
9	505121	Lever, Switch Left	1	37	908008	Cord Assembly, Handle	1
10	505120	Lever, Switch Right	1	38	509920C	Yoke, Handle	1
11	920001	Nut, 10-32 Nyloc Stop	1	39	507480	Rod, Yoke	1
12	509830	Washer, Handle Tube	1	40	980002	Washer, 1/4 Split Lock	6
13	503320	Flange, Strain Relief	1	41	962004	Screw, 10-32 x 1 1/4 Oval	3
14	505720	Nipple, Handle	2	42	502373	Cover, Motor	1
15	481310C	Switch Box	1	43	See Page 7	Motor & Gear Assembly	1
16	515150	Label, Warning	1	44	483226	Frame, 17"	1
17	501210	Bumper, Handle	1		483227	Frame, 20"	1
18	962003	Screw, 10-32 x 3/4 PHP	1	45	487706C	Shaft, Wheel Axle	1
19	962006	Screw, 1/4-20 x 1/2 PHP SS	6	46	509820	Washer, Fibre	4
20	503711	Grip, Handle-Gray	2	47	529701	Wheel, 5" Non-Marking	2
	501501	Cap, Protective End	2	48	980005	Washer, Wave	4
21	980015	Washer, #10 Ext Tooth	1	49	S482P	Cap, Snap Axle	2
22	508520	Strain Relief-Complete	1	50	962016	Screw, 10-32 x 3/8 Set	1
	502020	Clamp, Strain Relief	1	51	962010	Screw, 1/4-20 x 1	4
23	962015	Screw, 10-32 x 3/8 PHP	1	52	980004	Washer, 1/4 Flat	4
24	509082	Tube, Handle	1	53	481202	Bumper, 17" Gray	1
25	502422	Cord Assembly, 50 ft Yellow	1		481203	Bumper, 20" Gray	1
26	504420	Hook, Cord	1				
27	485133	Kick Lever Assembly	1				
<i>(comes w/ items 27,28,29 &amp; 34)</i>							



# AC MOTOR ILLUSTRATION



# AC MOTOR PARTS LIST

## for Q-17 & Q-20

ITEM		DESCRIPTION	Motor & Gear Asm., 1.5HP 115V 60CY	
			505254 Motor #36J377T115 503535 Gear Assembly	505251 Motor & Gear Box #AD15017A
			(Baldor Motor, 1999-2005)	(Imperial Motor & Gear Box 2005 to present)
A		Ring Gear Housing	504209	-
B		Bearing	902007	902007
C		Planet Gear Hsing,10:1-3 Idler	504208	-
D		Bearing	902005	902005
E		Screw	-	960016 (Qty 6)
F		Screw	-	960017 (Qty 6)
G		Motor Cord	-	-
H		Run Capacitor	-	911305
I		Cover, Run Capacitor	-	502351
J		Cover, Start Capacitor	-	502351
K		Start Capacitor	911239 - 400/480MFD-115V	911304 - 450MFD
L		Bolt	960035 (Qty 4)	-
M		End Bell	-	502934
N		Stator Asm (No Capacitors), Chrome	-	-
O		Bearing, Motor Top	902003	902003
P		Stationary Switch	911251	911306
Q		Rotary Switch	-	911307
R		Rotor Assembly (No Bearings or Switch)	-	-
S		End Bell-Motor Lower	502927	502932
T		Cover, Ring Gear	-	-
U		Bearing	902015	902015
V		Bearing	902005 (Qty 2)	902005 (Qty 2)
X		Coupling Flexible	502460	502460
Y		Spacer	508211	508211
Z		Pinion	503510	503510
AA		Shaft-Planet Gear	507701 (Qty 3)	507701 (Qty 3)
BB		Bearing-Planet Shaft	902016 (Qty 6)	902016 (Qty 6)
CC		Gear-Planet	-	-



## SSS FLOOR MACHINE, MODELS Q-17 & Q-20 LIMITED WARRANTY

The SSS Floor Machine, Q-Line Series has been manufactured, tested and inspected in accordance with specific engineering requirements, and is WARRANTED by the manufacturer to be free from defects in workmanship and materials.

This warranty is, however, subject to the following qualifications, conditions and limitations which are set forth to provide you and all users of the SSS Floor Machine, Q-Line Series with information concerning the duration, extent, availability and applicability of this Limited Warranty, the procedure to be taken to obtain its performance and other information concerning the manufacturer's warranty policy.

### 1. TO WHOM EXTENDED AND DURATION OF ITEMS COVERED

This warranty extends to the original consumer purchaser from the date it was purchased and for the items and periods as follows:

Five (5) years parts, one (1) year labor - Base, Cast Aluminum (reference Item 50)

Three (3) years parts, one (1) year labor - AC Motor and Gear Box, except switches, capacitors and flex couplings which have a one (1) year warranty.

One (1) year parts & labor - All other components unless excluded below.

### 2. PARTS NOT COVERED BY WARRANTY

Certain parts of the SSS Floor Machine require replacement in the ordinary course of use due to normal wear by reason of their characteristics. This warranty does not cover the following normal wear items:

<u>Part Number</u>	<u>Part Name</u>
502422	Cord Assembly
529701	Wheel
503711	Handle Grips
481202	Bumper, 17"
481203	Bumper, 20"

### 3. EXCEPTIONS AND EXCLUSIONS FROM WARRANTY

The SSS Floor Machine is required to be used on electric current as indicated on the nameplate. Otherwise damage, defects, malfunctions or other failures of the SSS Floor Machine arising from use on electric current not as indicated are excepted and excluded from this warranty.

Defects, malfunctions, failure or damage of the SSS Floor Machine caused by improper, unreasonable or negligent use or abuse while in the possession of the consumer are likewise excluded from this warranty.

If repair is done on your SSS Floor Machine by anyone other than those below designated as authorized to perform such work without first having obtained factory instructions, the manufacturer, at its sole option, may determine that this warranty will not apply and that reimbursement for such repair will not be made because of the failure to comply with such factory specified instructions.

### 4. PROCEDURE TO BE TAKEN TO OBTAIN PERFORMANCE OF WARRANTY

To secure repair of the SSS Floor Machine or any warranted parts under this warranty, the following procedure should be taken: The inoperative SSS Floor Machine or warranted parts, together with satisfactory evidence of the purchase date, must be delivered with shipping and delivery charges prepaid to the Dealer from whom purchased.

If you are unable to locate the Dealer, you may write or otherwise communicate with **Triple S, 2 Executive Park Drive, Billerica, MA 01862** for instructions before repair service is performed by anyone else. In such event Triple S will provide either the location of a closely available Triple S distributor Service Department or other factory instructions.

Upon compliance with the above procedure, all warranted defects will be repaired, at no additional charge or costs to the consumer, and the repaired product returned to the consumer, with all shipping and delivery charges prepaid.

In following the procedures above set forth PLEASE MAKE CERTAIN to state the Triple S model, type and serial number as shown on the name plate of the SSS Floor Machine.

### REPLACEMENT

In the event of the defect, malfunction or failure of your SSS Floor Machine or any warranted part to conform with this warranty, the manufacturer may at its sole option and own expense, replace the SSS Floor Machine or any warranted part with another new identical or reasonably equivalent model or part in lieu of repairing the defect.

### 5. NO REFUND OF PURCHASE PRICE

Triple S will not, as a matter of its warranty policy, refund the consumer's purchase price.

### 6. WARRANTY REGISTRATION CARD FOR YOUR SSS FLOOR MACHINE AND REQUESTS FOR INFORMATION

Please fill out the warranty registration card accompanying your SSS Floor Machine, giving complete information as requested on the card, and return to Triple S.

This warranty is in lieu of all other expressed or implied warranties.



2 Executive Park Drive Billerica, MA 01862  
Ph: (800) 323-2251 • Fax (978) 667-9360  
[www.triple-s.com](http://www.triple-s.com)