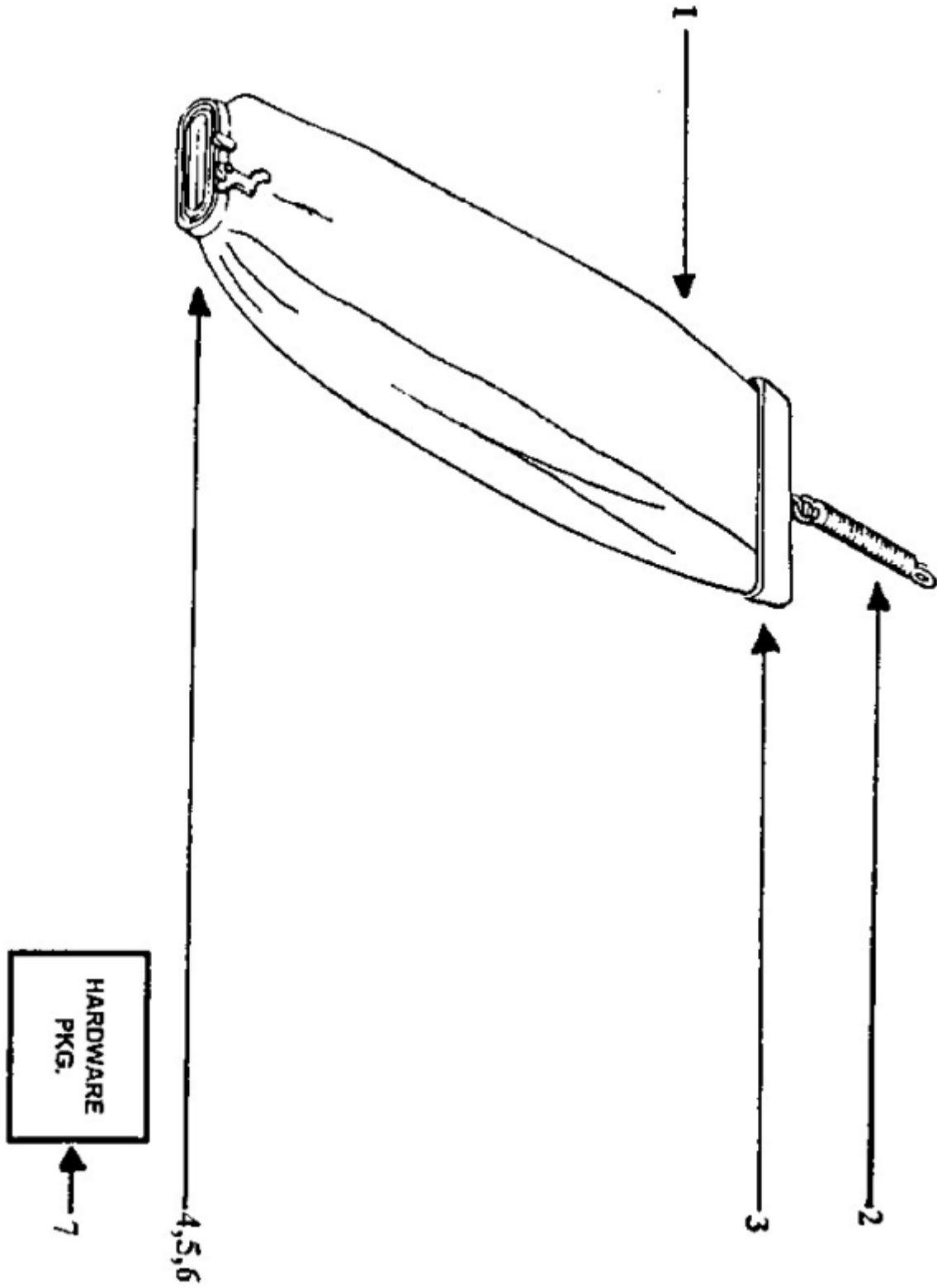




SSS ProSpec Vacuum

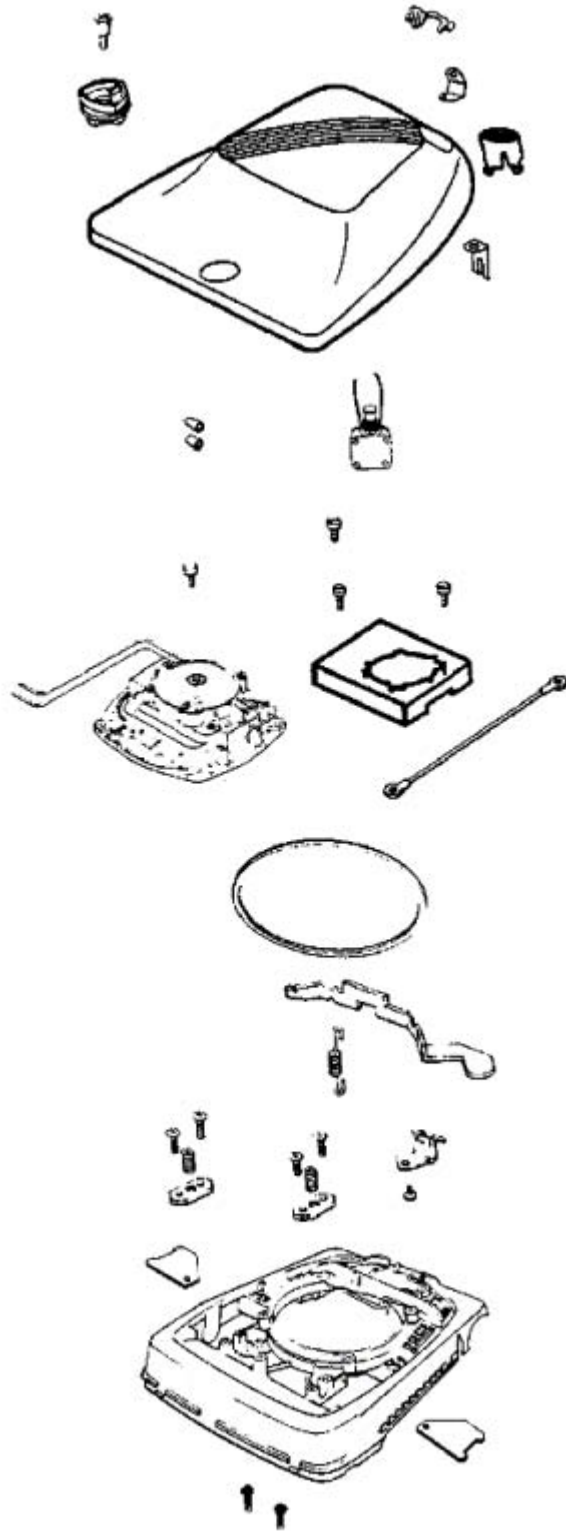
**MODEL HD100
Commercial**

Parts & Schematics



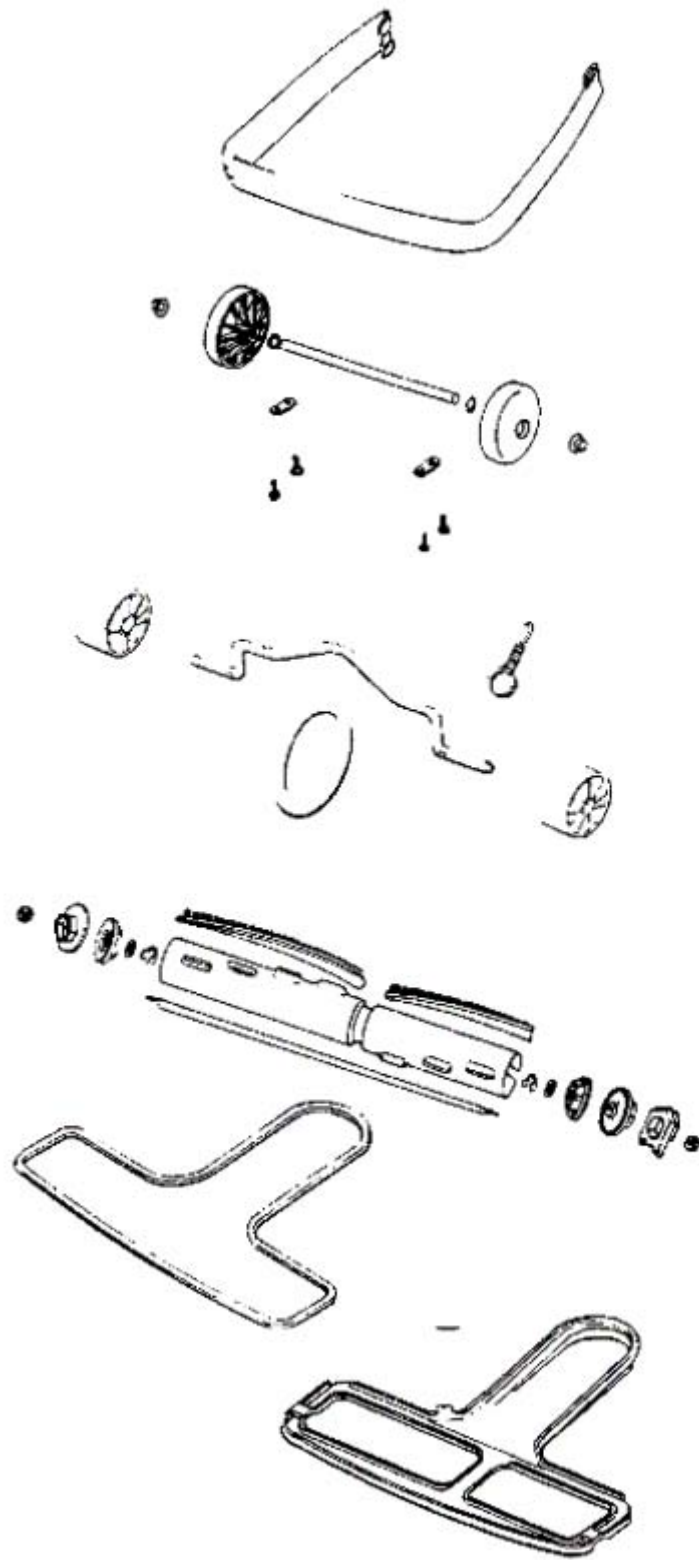
Bag Assembly - #26009

Ref #	Part	Description	Comments	Qty
1	53416-5	BAG ASSEMBLY - PACKAGED		
2	47722	SPRING - BAG		
3	30599D-10	CLIP - BAG		
4	48748	WASHER		
5	48282	GASKET - BAG ADAPTER		
6	54174-1	ADAPTER - BAG		
7	49461B	HARDWARE PKG - COMM UPRIG		



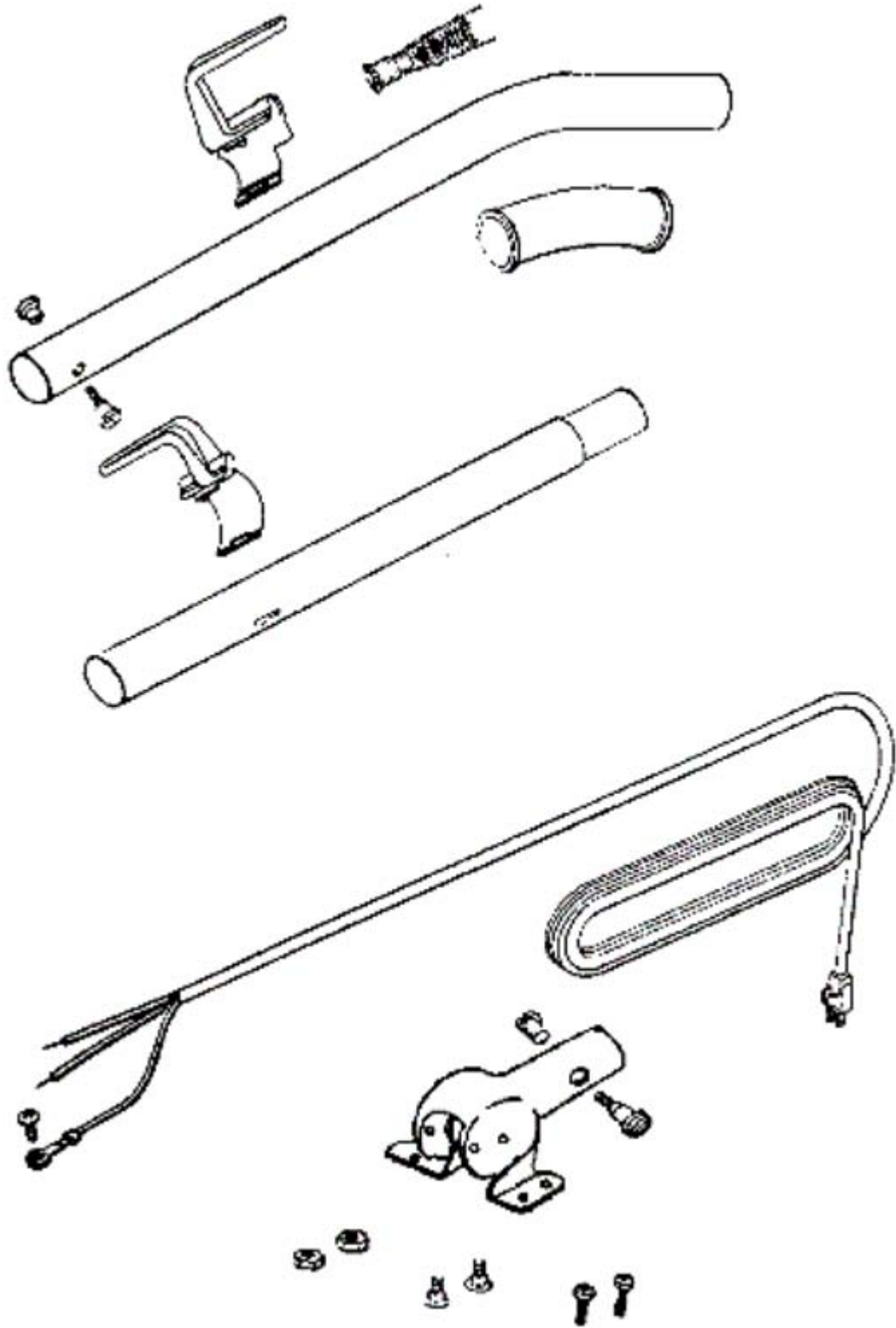
Base & Hood Assembly - #26009

Ref #	Part	Description	Comments	Qty
1	26808-3	BUTTON - SWITCH		
2	24834A-1	Discontinued, use 24834A-3		
3	24964A	CAM (RIGHT)		
4	24965A	CAM (LEFT)		
5	30517	GASKET - MOTOR SEAL		
6	36263	COVER - WHEEL		
7	37034	SPRING - ADAPT RETAINER		
8	37989	CLIP - SWITCH		
9	38053-2	KNOB ASSEMBLY		
10	38067	SEPARATOR ASSEMBLY		
11	38218-1	BRACKET - BUSHING		
12	53097	SPRING - FOOT PEDAL PKG (
13	53118	RIVET - SHOULDER PACKAGE		
14	53122	STRAIN RELIEF BUSHING - P		
15	53133	STL WASHERS-PKG (48495 (NLA)		
16	53140	CLAMP & SCREW ASSY PKG		
17	53143	SCREW PACKAGE (10)		
18	53214-1	WIRE SPLICE 5		
19	53215-4	SCREW PACKAGE		
20	53238-11	SCREW PACKAGE		
21	53238-13	SCREW PACKAGE		
22	53238-14	SCREW PACKAGE		
23	54151-2	Discontinued, use 13738-5		
24	54177	WIRE & TERMINAL ASSY		
25	54314-15	HOOD & GRAPHICS ASSY - PK		
26	54352-3	MOTOR ASSEMBLY - PACKAGED		
27	53425-17	BASE ASSEMBLY - CARTONED		

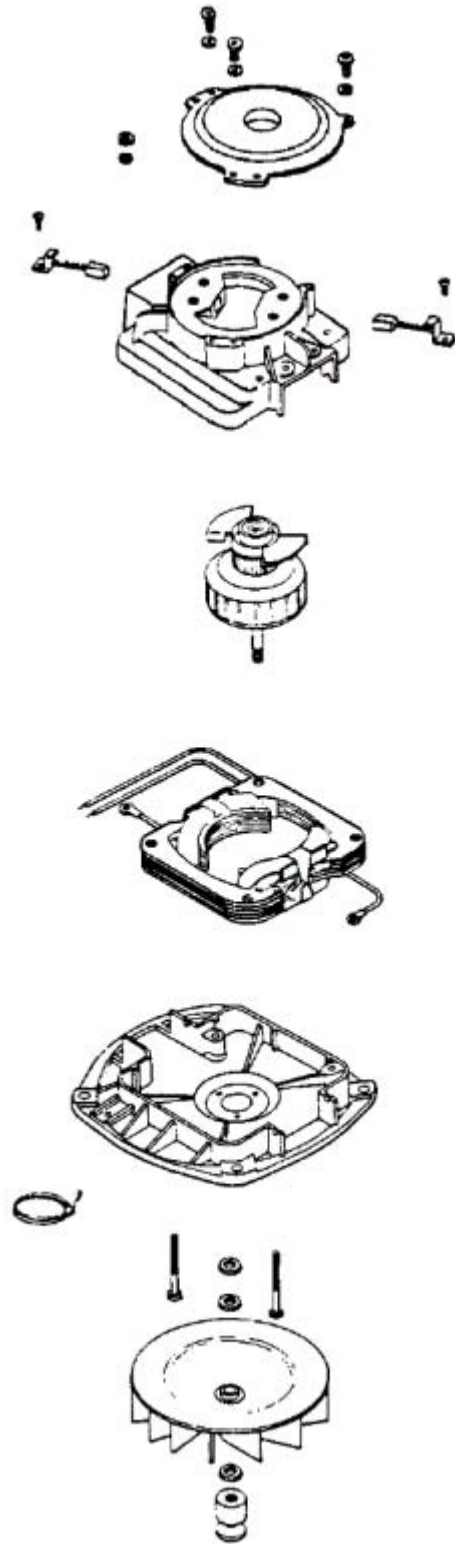


Furniture Guard & Brushroll - #26009

Ref #	Part	Description	Comments	Qty
1	13236-3	TUBE - DISTURBULATOR		
2	25922-1	BOTTOM PLATE ASSEMBLY		
3	25937	SHAFT - DISTURBULATOR		
4	26057A	CAP - DISTURBULATOR		
5	26059A	CAP - COVER		
6	26242-1	REAR WHEEL use 26242-119N		
7	28504-1	GUARD - FURNITURE		
8	35859A-1	WHEEL - FRONT		
9	35947A	AXLE - FRONT		
10	37183	AXLE - REAR		
11	37234-1	WHEEL & AXLE ASSY		
12	46538	TAPE-FOAM (use 46538-4)		
13	49899	WASHER - FELT		
14	30563B	BELT - DRIVE (STYLE RD)		
15	52282-4	BRISTLE STRIP PACKAGE		
16	53076-2	SPRING & AXLE PACKAGE (6)		
17	53110	WASHER - WHEEL PACKAGE (1		
18	53121	PUSH NUT PACKAGE (10)		
19	53158	LOCK NUT PACKAGE		
20	53184	KLIPRING PACKAGE		
21	53201	AXLE CLAMP - PACKAGED		
22	53238-11	SCREW PACKAGE		
	53270	DISTURBULATOR ASSEMBLY		
24	54256	BRG & RET ASSY		



Ref #	Part	Description	Comments	Qty
1	12637-8	TUBE - HANDLE (LOWER)		
2	25329-16SV	HANDLE ASSEMBLY (UPPER)		
3	35293-8	GRIP - HANDLE		
4	38183-1	HANDLE SOCKET ASSY		
5	38495	SPRING - STRAIN RELIEF PK		
6	52370-12	CORD & TERMINAL ASSY-FB-5		
7	53145	BOLT PACKAGE (10)		
8	53198-1	HANDLE SCREW ASSY PACKAGE		
9	53213-5	NUTS - PACKAGE 10		
10	53228-2	SCREWS - PACKAGE 10		
11	53238-13	SCREW PACKAGE		
12	53574-1	RETNR PKG(UPPER&LOWER)BEIGE		



Motor - #26009

Ref #	Part	Description	Comments	Qty
1	12988	FAN BLOWER - MOTOR		
2	20217E	RETAINER - UPPER BEARING		
3	30474A	FAN - MOTOR COOLING		
4	30478	MOTOR BRUSH ASSEMBLY		
5	37012-2	PULLEY - MOTOR DRIVE		
6	42875	BEARING RETAINER ASSY-W/L		
7	53088-1	BALL BEARING - PACKAGE		
8	53138	SCREWS - PACKAGE 10		
9	53142	SCREW PACKAGE (10)		
10	53148	WASHER - FAN PACKAGE (10)		
11	53187-1	RIVET PACKAGE		
12	53188-1	WASHER PACKAGE		
13	53213-4	NUTS - PACKAGE 10		
14	53219-2	SCREWS - PACKAGE 10		
15	53222-3	LOCKWASHERS - PACKAGE 10		
16	53441-2	FIELD ASSEMBLY - PACKAGED		
17	54169-1	MOTOR BASE ASSEMBLY		
18	54395-4	ARMATURE, FAN & BRG ASSY-		
19	54396	MOTOR COVER ASSEMBLY - LA		
20	56802-2	TIE - CABLE (PURCHASED)		

